



Technical Data

Co-Axial, Satellite & Triplex Outlets

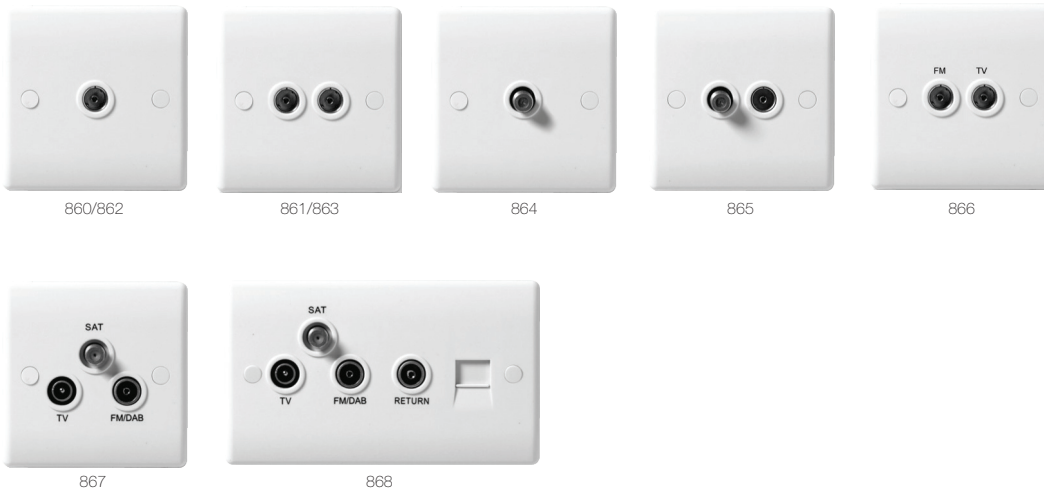
Brief product description:

Used for TV or FM coaxial aerial connection. The subtle design will blend with any décor - suitable for domestic or commercial installations.

Features:

- Stylish modern profile
- Covers to conceal fixing screws
- White moulded round edge, sleek and slim with softly rounded edges
- Easy to install, supplied with fixing screws and installation instructions

Product Images



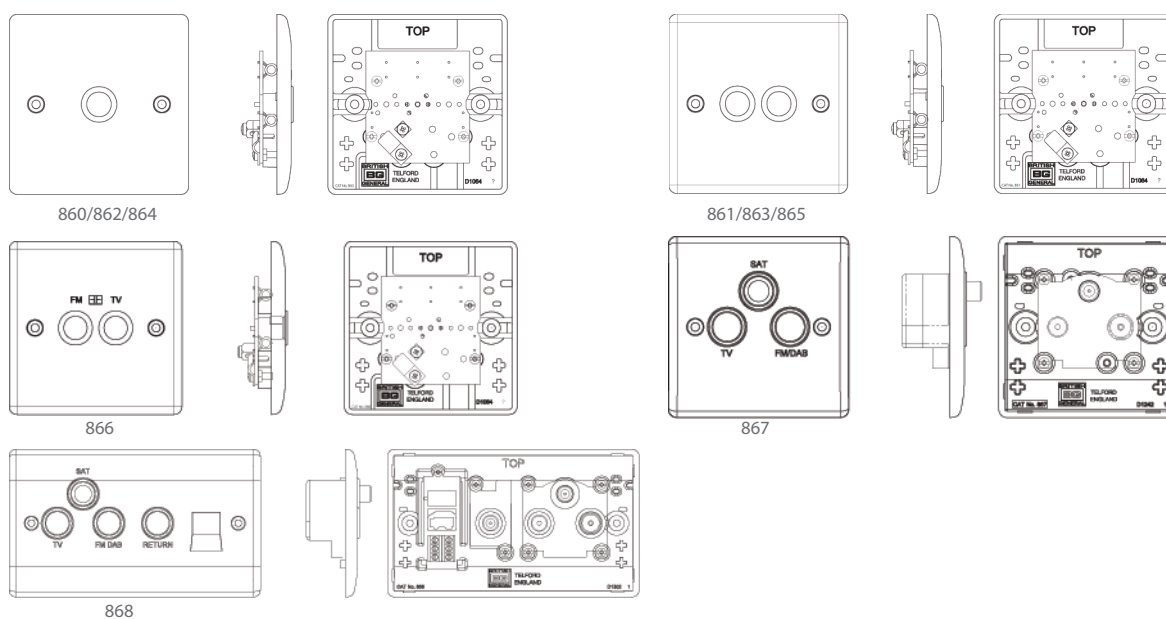
Technical Specifications

Standard(s)	BS3041 & BS5733, additionally BS 6312-2 for 868
ASTA Approval	License Number 1017
RoHS Directive	No
WEEE Directive	No
Mounting Box Depth(Min)	25mm (860, 861, 862, 863, 864, 865, 866 products) 35mm (867, 868 products)
Fixing Centres	60.3mm (860, 861, 862, 863, 864, 865, 866, 867 products) 120.6mm (868 product)
Size	86mm x 86mm x 27mm (860, 861, 862, 863, 866 products) 86mm x 86mm x 35mm (864, 865 products) 86mm x 86mm x 38mm (867 product) 146.5mm x 86mm x 38mm (868 product)



Co-Axial, Satellite & Triplex Outlets

Line Diagrams



Packaging Information

Cat No.	Description	Packaging Type			Pack Quantity			Barcode		
		Product	Inner Box	Outer Box	Each	Inner Box	Outer Box	Individual	Inner Box	Outer Box
860	1G Co-Axial Socket	Nexus PolyBag	Nexus Inner	Nexus Outer	1	10	100	5050765001960	5050765001977	5050765001984
861	2G Co-Axial Socket	Nexus PolyBag	Nexus Inner	Nexus Outer	1	10	100	5050765001991	5050765002004	5050765002011
862	1G Isolated Co Socket	Nexus PolyBag	Nexus Inner	Nexus Outer	1	10	100	5050765002028	5050765002035	5050765002042
863	2G Isolated Co Socket	Nexus PolyBag	Nexus Inner	Nexus Outer	1	10	100	5050765002059	5050765002066	5050765002073
864	1G Satellite Socket	Nexus PolyBag	Nexus Inner	Nexus Outer	1	10	100	5050765002080	5050765002097	5050765002103
865	2G Sat.&Co Socket	Nexus PolyBag	Nexus Inner	Nexus Outer	1	10	100	5050765002110	5050765002127	5050765002134
866	2G Diplex TV/FM	Nexus PolyBag	Nexus Inner	Nexus Outer	1	10	100	5050765002141	5050765002158	5050765002165
867	3G Triplex TV/FM/Sat	Nexus PolyBag	Nexus Inner	Nexus Outer	1	10	100	5050765002172	5050765002189	5050765002196
868	Triplex with BT outlet & co-axial return	Nexus PolyBag	Nexus Inner	Nexus Outer	1	5	50	5050765002202	5050765002219	5050765002226

Weights & Dimensions

Cat No.	Description	Dimension (W x L x H) cm			Weight (g)			CBM (m ³)
		Product	Inner Box	Outer Box	Each	Inner Box	Outer Box	Outer Box
860	1G Co-Axial Socket	9.2 x 9.2 x 2.47	12.5 x 18 x 9.2	26 x 49.5 x 19	50	754	8000	0.02
861	2G Co-Axial Socket	9.2 x 9.2 x 2.47	12.5 x 18 x 9.2	26 x 49.5 x 19	57	754	8000	0.02
862	1G Isolated Co Socket	9.2 x 9.2 x 2.47	12.5 x 18 x 9.2	26 x 49.5 x 19	59	754	8000	0.02
863	2G Isolated Co Socket	9.2 x 9.2 x 2.47	12.5 x 18 x 9.2	26 x 49.5 x 19	70			0.02
864	1G Satellite Socket	9.2 x 9.2 x 2.47	15 x 18 x 9.2	31 x 49.5 x 19	60	804	8600	0.02
865	2G Sat.&Co Socket	9.2 x 9.2 x 2.47	15 x 18 x 9.2	31 x 49.5 x 19	72	884	9400	0.02
866	2G Diplex TV/FM	9.2 x 9.2 x 2.47	12.5 x 18 x 9.2	26 x 49.5 x 19	81	714	8400	0.02
867	3G Triplex TV/FM/Sat	9.2 x 9.2 x 2.47	18 x 22.5 x 9.2	37 x 49.5 x 23.5	127	1385	14600	0.04
868	Triplex with BT outlet & co-axial return	9.2 x 15.2 x 2.47	15 x 22.5 x 9.2	31 x 49.5 x 23.5	204	1040	11200	0.03

Co-Axial, Satellite & Triplex Outlets

Installation Information

Safety Warning

Before use please read and carefully use in accordance with these safety wiring instructions.

To ensure a satisfactory operation these products should be installed by a competent person. If in doubt seek advice from a qualified engineer.

These products should not be installed into the same enclosure containing mains exceeding 50V. Avoid running the telecom cable within 50mm of mains electrical cable.

Socket Types

1. Non-Isolated – Intend for use in installations with direct connection to the Aerial down-lead.

2. Isolated – This type of co-axial outlet provides a safety installation between the Aerial down-lead and the co-axial socket. These sockets are not suitable for use in systems where DC signals are passed through the socket. For example, where masthead/headend equipment is controlled by receiver/decoder equipment).

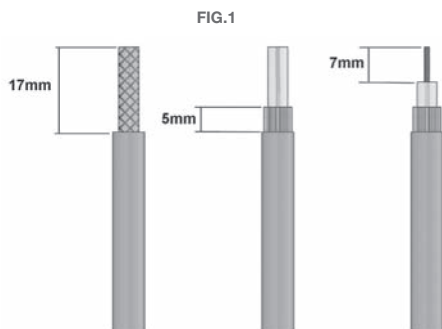
3. TV/FM Diplex – This diplexer unit separates the TV and FM band signals from systems where both signals are combined on a single aerial down-lead.

Technical Helpline: 03300 249 279
If in doubt consult a competent electrician.

General Installation Instructions

- 1) If using the new product to replace an old one, note the cable connections and wire up new product in the same way as the old one, with Earthing as stated in these instructions.
- 2) Ensure the mounting box (metal or patress) for either flush or surface mounting is the appropriate size for the product.
- 3) Route the cable through the most suitable entry point of the mounting box. If a metal box is used, a protective cable grommet should be used.
- 4) Strip the cable to the dimensions shown in the diagram opposite. (Fig.1)
- 5) Connect the inner conductor to the square terminal block and securely clamp the screening braid under the clamp, ensuring that there are no loose conductor strands that may cause short circuits. To assist with the correct installation of this product please consult the appropriate wiring diagram.
- 6) When tightening the screening braid clamps ensure that the cable is firmly gripped and that the inner insulation is not squashed flat beyond a slight oval shape. Always tighten the terminal screws securely, but do not overtighten.
- 7) Carefully position the accessory into the wall box, ensuring that no wires are trapped between the plate and the wall. Do not overtighten the screws. (Fit screw covers + clip-on front-plate as appropriate)
- 8) Once work has been completed correctly, the product is now ready for use.

* Note - If your installation uses a four lug metal mounting box, remove the top and bottom lugs or bend fully back.



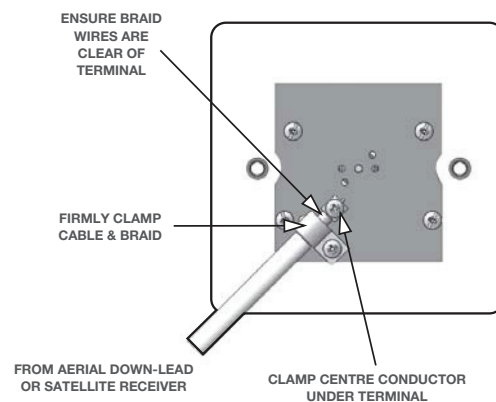
Step 1: Remove 17mm of outer sheath

Step 2: Twist screening braid back onto itself until 5mm long

Step 3: Remove 7mm of inner insulating sheath

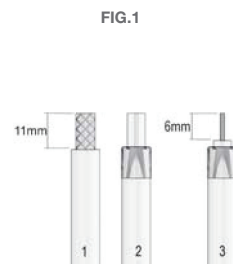
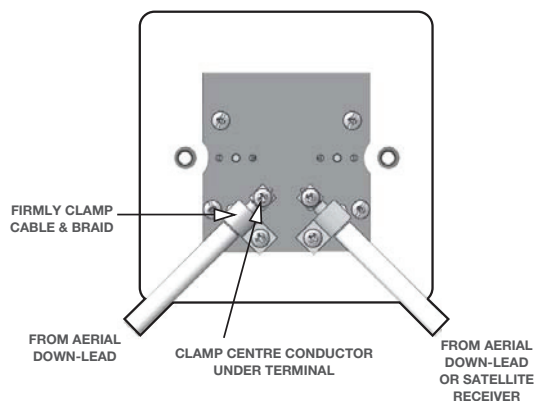
Connection Diagram For

1 Gang Co-axial Socket, 1 Gang Isolated Co-axial Socket, Satellite F-Type Socket, and TV/FM Diplex Socket.



Connection Diagram For

2 Gang Co-axial Socket, 2 Gang Isolated Co-axial Socket, and 2 Gang Satellite F-Type Socket and Co-axial socket.

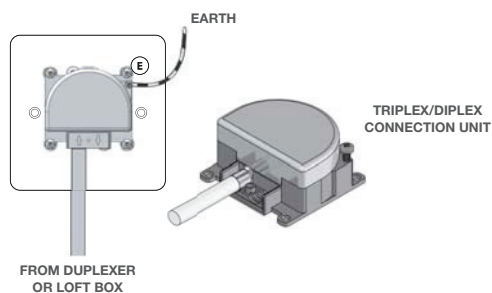


Co-Axial, Satellite & Triplex Outlets

Installation Information

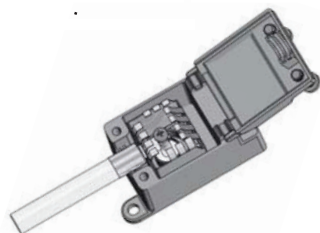
Triplex – Tv/Fm/Sat Outlet And Diplex – Tv/Fm Connection

1. Fully loosen the cable clamp securing screws and remove cable clamp.
2. Fully push the centre copper core of the aerial cable into hole provided. Ensure that no loose strands of copper braid are touching the inner copper core.
3. Replace the cable clamp and secure by tightening the screw. Do not overtighten to avoid crushing the cable.
4. An earth bond terminal is provided if required.

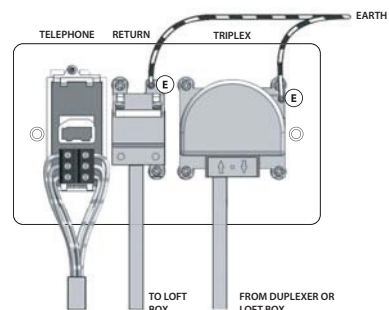


Return Connection (Back To Loft Box)

1. Fully loosen the two lid securing screws, and open the lid.
2. Loosen but do not remove the centre terminal screw.
3. Insert the centre copper core of the aerial cable into the terminal hole. Ensure that no loose strands of copper braid are touching the inner copper core. Secure by lightly tightening the terminal screw.
4. Close the lid and tighten the securing screws. Do not overtighten to avoid crushing the cable.
5. An earth bond terminal is provided if required.



Triplex – Tv/Fm/Sat Outlet Plate With Return And Telephone Outlet



Telephone Socket Connection - Slave Socket provided with unit

The ends of the individual conductors should have the insulation removed by approx. 8mm. Connect each wire as per the BT Wiring Scheme below. Ensure that only the bare end of the wire enters the terminal, and no bare wires are visible. Always tighten the terminal screws securely.



BT Wiring Scheme

Terminal / Line	Colour
1	Green with White rings
2	Blue with White rings
3	Orange with White rings
4	White with Orange rings
5	White with Blue rings
6	White with Green rings

***Note** - An existing installation may use a different wiring colour code system. It is essential that the new product is wired up in the same way as the old one.

The simplest way is either to label each conductor with the location of the terminal to which it connects as you release it or to transfer one conductor at a time to the corresponding terminal on the new product.



Technical Data

Co-Axial And Satellite Sockets

Brief product description:

Used for TV or FM coaxial aerial connection. A standard range of white moulded wall accessories offering superb quality and exceptional value.



Features:

- A standard design - suitable for domestic or commercial installations
- Easy to install, supplied with fixing screws and installation instructions

Product Images



Technical Specifications

Standard(s)	BS3041 & BS5733	 
ASTA Approval	License Number 1017	
RoHS Directive	No	
WEEE Directive	No	
Mounting Box Depth(Min)	25mm	
Fixing Centres	60.3mm	
Size	86mm x 86mm x 27mm (960, 961, 962, 963, 966 products)	
	86mm x 86mm x 35mm (964, 965 products)	

Packaging Information

Cat No.	Description	Packaging Type			Pack Quantity			Barcode		
		Product	Inner Box	Outer Box	Each	Inner Box	Outer Box	Individual	Inner Box	Outer Box
960	1G Co-Axial Socket	Plain Bag	Plain Inner	Plain Outer	1	10	100	5021166960002	5021166960095	5021166960088
961	2G Co-Axial Socket	Plain Bag	Plain Inner	Plain Outer	1	10	100	5021166961009	5021166961092	5021166961085
962	1G Isolated Co Socket	Plain Bag	Plain Inner	Plain Outer	1	10	100	5021166962006	5021166962099	5021166962082
963	2G Isolated Co Socket	Plain Bag	Plain Inner	Plain Outer	1	10	100	5021166963003	5021166963096	5021166963089
964	1G Satellite Socket	Plain Bag	Plain Inner	Plain Outer	1	10	100	5021166964000	5021166964093	5021166964086
965	2G Sat.&Co Socket	Plain Bag	Plain Inner	Plain Outer	1	10	100	5021166965007	5021166965090	5021166965083
966	2G Diplex TV/FM	Plain Bag	Plain Inner	Plain Outer	1	10	100	5021166966004	5021166966097	5021166966080

Weights & Dimensions

Cat No.	Description	Dimension (W x L x H) cm			Weight (g)			CBM (m ³)
		Product	Inner Box	Outer Box	Each	Inner Box	Outer Box	Outer Box
960	1G Co-Axial Socket	9.2 x 9.2 x 2.47	12 x 15.8 x 9.2	25.1 x 48 x 16.5	75	750	8700	0.02
961	2G Co-Axial Socket	9.2 x 9.2 x 2.47	12 x 15.8 x 9.2	25.1 x 48 x 16.5	80	800	9000	0.02
962	1G Isolated Co Socket	9.2 x 9.2 x 2.47	12 x 15.8 x 9.2	25.1 x 48 x 16.5	40	400	6000	0.02
963	2G Isolated Co Socket	9.2 x 9.2 x 2.47	12 x 15.8 x 9.2	25.1 x 48 x 16.5	60	600	8600	0.02
964	1G Satellite Socket	9.2 x 9.2 x 2.47	13 x 16 x 9.2	27 x 47 x 16.8	65	650	8000	0.02
965	2G Sat.&Co Socket	9.2 x 9.2 x 2.47	13 x 16 x 9.2	27 x 47 x 16.8	70	700	8350	0.02
966	2G Diplex TV/FM	9.2 x 9.2 x 2.47	12 x 17 x 9.2	25.1 x 48 x 16.5	60	600	6000	0.02

Co-Axial And Satellite Sockets

Installation Information

Safety Warning

Before use please read and carefully use in accordance with these safety wiring instructions.

To ensure a satisfactory operation these products should be installed by a competent person. If in doubt seek advice from a qualified engineer.

These products should not be installed into the same enclosure containing mains exceeding 50V. Avoid running the telecom cable within 50mm of mains electrical cable.

Socket Types

1. Non-Isolated – Intend for use in installations with direct connection to the Aerial down-lead.

2. Isolated – This type of co-axial outlet provides a safety installation between the Aerial down-lead and the co-axial socket. These sockets are not suitable for use in systems where DC signals are passed through the socket. For example, where masthead/headend equipment is controlled by receiver/decoder equipment).

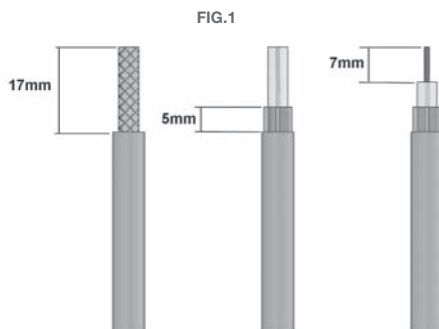
3. TV/FM Diplex – This diplexer unit separates the TV and FM band signals from systems where both signals are combined on a single aerial down-lead.

Technical Helpline: 03300 249 279
If in doubt consult a competent electrician.

General Installation Instructions

- 1) If using the new product to replace an old one, note the cable connections and wire up new product in the same way as the old one, with Earthing as stated in these instructions.
- 2) Ensure the mounting box (metal or patress) for either flush or surface mounting is the appropriate size for the product.
- 3) Route the cable through the most suitable entry point of the mounting box. If a metal box is used, a protective cable grommet should be used.
- 4) Strip the cable to the dimensions shown in the diagram opposite. (Fig.1)
- 5) Connect the inner conductor to the square terminal block and securely clamp the screening braid under the clamp, ensuring that there are no loose conductor strands that may cause short circuits. To assist with the correct installation of this product please consult the appropriate wiring diagram.
- 6) When tightening the screening braid clamps ensure that the cable is firmly gripped and that the inner insulation is not squashed flat beyond a slight oval shape. Always tighten the terminal screws securely, but do not overtighten.
- 7) Carefully position the accessory into the wall box, ensuring that no wires are trapped between the plate and the wall. Do not overtighten the screws. (Fit screw covers + clip-on front-plate as appropriate)
- 8) Once work has been completed correctly, the product is now ready for use.

* Note - If your installation uses a four lug metal mounting box, remove the top and bottom lugs or bend fully back.



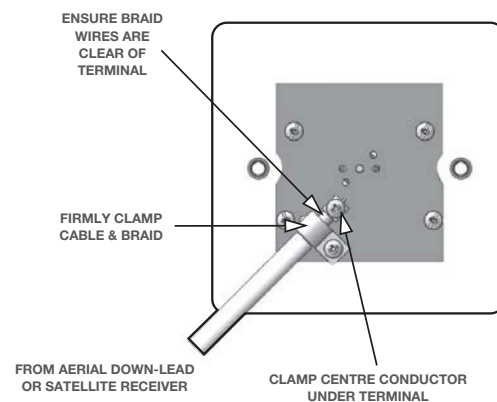
Step 1: Remove 17mm of outer sheath

Step 2: Twist screening braid back onto itself until 5mm long

Step 3: Remove 7mm of inner insulating sheath

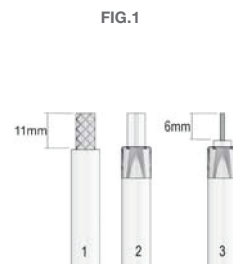
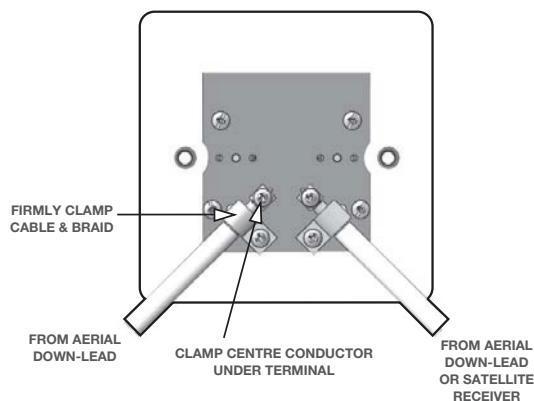
Connection Diagram For

1 Gang Co-axial Socket, 1 Gang Isolated Co-axial Socket, Satellite F-Type Socket, and TV/FM Diplex Socket.



Connection Diagram For

2 Gang Co-axial Socket, 2 Gang Isolated Co-axial Socket, and 2 Gang Satellite F-Type Socket and Co-axial socket.

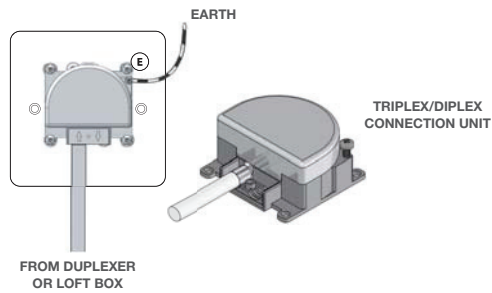


Co-Axial And Satellite Sockets

Installation Information

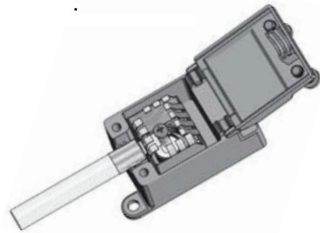
Triplex – Tv/Fm/Sat Outlet And Diplex - Tv/Fm Connection

1. Fully loosen the cable clamp securing screws and remove cable clamp.
2. Fully push the centre copper core of the aerial cable into hole provided. Ensure that no loose strands of copper braid are touching the inner copper core.
3. Replace the cable clamp and secure by tightening the screw. Do not overtighten to avoid crushing the cable.
4. An earth bond terminal is provided if required.

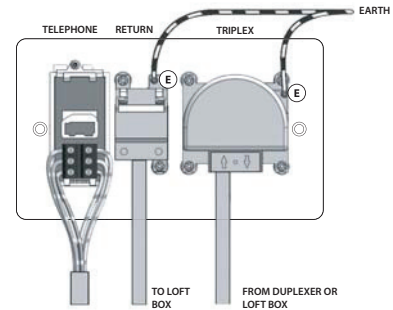


Return Connection (Back To Loft Box)

1. Fully loosen the two lid securing screws, and open the lid.
2. Loosen but do not remove the centre terminal screw.
3. Insert the centre copper core of the aerial cable into the terminal hole. Ensure that no loose strands of copper braid are touching the inner copper core. Secure by lightly tightening the terminal screw.
4. Close the lid and tighten the securing screws. Do not overtighten to avoid crushing the cable.
5. An earth bond terminal is provided if required.



Triplex – Tv/Fm/Sat Outlet Plate With Return And Telephone Outlet



Telephone Socket Connection - Slave Socket provided with unit

The ends of the individual conductors should have the insulation removed by approx. 8mm. Connect each wire as per the BT Wiring Scheme below. Ensure that only the bare end of the wire enters the terminal, and no bare wires are visible. Always tighten the terminal screws securely.



BT Wiring Scheme

Terminal / Line	Colour
1	Green with White rings
2	Blue with White rings
3	Orange with White rings
4	White with Orange rings
5	White with Blue rings
6	White with Green rings

***Note** - An existing installation may use a different wiring colour code system. It is essential that the new product is wired up in the same way as the old one. The simplest way is either to label each conductor with the location of the terminal to which it connects as you release it or to transfer one conductor at a time to the corresponding terminal on the new product.