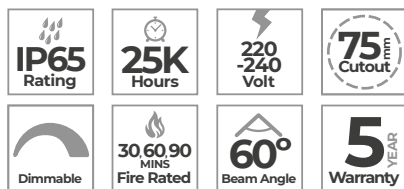


FTYPE FIXED DOWNLIGHT

Product Features

- Super fast installation delivering up to 100Llm/W in both the 6W and 8W versions
- Integrated dimmable driver with Loop In/Loop Out push-fit piano key terminals
- Interchangeable bevelled and flat bezels available in a range of colours
- Fire rated, Acoustic Rated to Part E, Air Leakage rated to Part C and insulation coverable



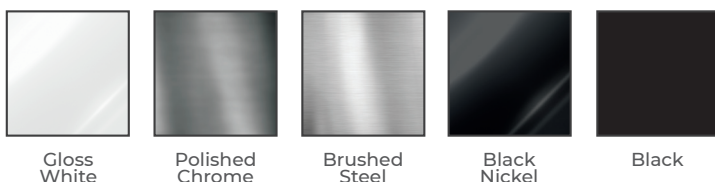
CAT NO.	WATTAGE	LUMINAIRE LUMENS	COLOUR TEMP
EFT60W30	6W	600	3000K
EFT60W40	6W	600	4000K
EFT80W30	8W	760	3000K
EFT80W40	8W	760	4000K

Product Accessories

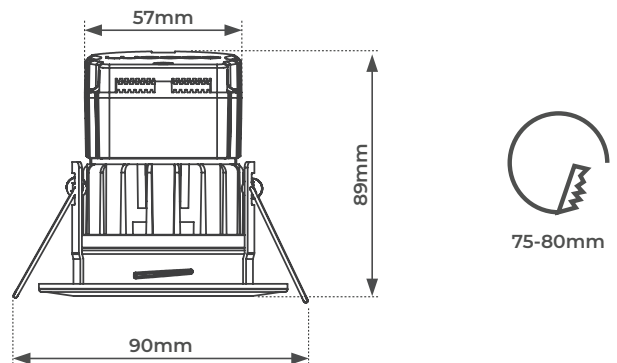
CAT NO.	FINISH	DESCRIPTION
EFTBZFGW	Gloss White	Flat
EFTBZFPC	Polished Chrome	Flat
EFTBZFBBS	Brushed Steel	Flat
EFTBZFBN	Black Nickel	Flat
EFTBZFBK	Black	Flat
EFTBZGW	Gloss White	Bevelled
EFTBZPC	Polished Chrome	Bevelled
EFTBZBS	Brushed Steel	Bevelled
EFTBZBN	Black Nickel	Bevelled
EFTBZBK	Black	Bevelled
EFTBZAPWH	Matt White	Adaptor Plate*

*To fit with existing cutouts of 95-165 diameter

Bezels



Product Drawing



EFTBZAPWH



CAT NO.	WEIGHT (kg)	EFFICACY (Llm/W)	CRI	FREQUENCY (Hz)	TEMP RANGE	AMBIENT TEMP RATED LIFE	L/B RATED LIFE	CUT OUT (mm)
EFT60W30	0.26	100	≥83	50-60	-25 to +40	25	L70/B50	75-80
EFT60W40	0.26	100	≥83	50-60	-25 to +40	25	L70/B50	75-80
EFT80W30	0.26	95	≥83	50-60	-25 to +40	25	L70/B50	75-80
EFT80W40	0.26	95	≥83	50-60	-25 to +40	25	L70/B50	75-80

EFT60W30
Luminaire Performance

Light Output Ratio: 100%
Luminaire Efficacy: 100 Llm/W
Light Distribution: A50 ±99.0% ±1.0%
CIE Flux Codes: 71 91 99 99 100
UGR 4H 8H (20%, 50%, 70%) C0 / C90: 27.5 / 27.5

Luminous Intensity

Legend: ■ C0 / C180 cd / 100lm ---- c90 / c270

EFT80W40
Luminaire Performance

Light Output Ratio: 100%
Luminaire Efficacy: 95 Llm/W
Light Distribution: A60 ±99.0% ±1.0%
CIE Flux Codes: 71 92 99 99 100
UGR 4H 8H (20%, 50%, 70%) C0 / C90: 26.1 / 25.3

Luminous Intensity

Legend: ■ C0 / C180 cd / 100lm ---- c90 / c270

LUCECO

This luminaire contains built-in LED lamps.

LED

The lamps cannot be changed in the luminaire.

874/2012

STANDARD	DESCRIPTION
EN 60598-1	Luminaires – General requirements
EN 60598-2-2	Luminaires – Recessed
EN 61000-3-2	Electromagnetic compatibility (EMC) – Part 3-2: Limits – for harmonic current emissions
EN 61000-3-3	Limits – Limitation of voltage changes, voltage fluctuations and flicker in public low-voltage supply systems, for equipment with rated current ≤ 16 A per phase and not subject to conditional connection
EN 61547	Equipment for general lighting purposes – EMC immunity requirements
EN 55015	Limits and methods of measurement of radio disturbance characteristics of electrical lighting and similar equipment

