



Technical Specification

50m Open Reel OLU50134SL-PX



Features

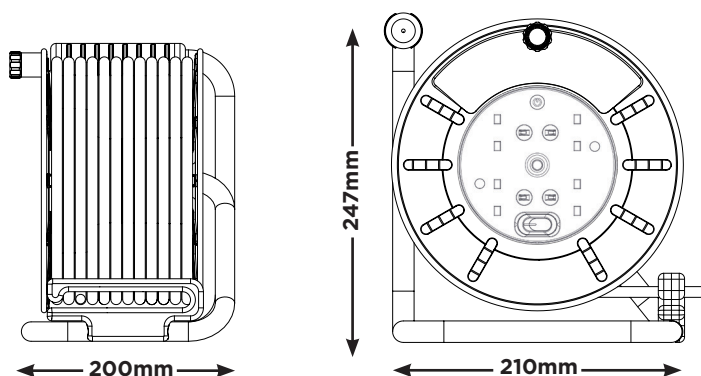
- » Robust case reel, with four shutter sockets
- » Safety thermal cut-out
- » Power on/off switch
- » Power LED indicator



Description

This larger plastic constructed extension reel has been designed and engineered for efficiency. The plastic drum provides reliable protection when in use, transported or stored. Using highly visible green cable, this range of extension reels provides four shuttered, LED indicator, power switch and has a built-in safety thermal cut-out for protection against overloading when fully reeled.

Line Diagrams



Technical Specifications

Standards	BS EN 61242. ASTA Approved
Maximum Load	720W/240V - Fully Wound 3120W/240V - Fully Unwound
Switch	Double Pole
Cable length	50m
Cable Size	Cable Size - 1.25mm ² (HO5VV-F)



Lic 940



Product Information

Part No	OLU50134SL-PX	Qty	1
Type	Open Cable Reel	Shipping Carton Info (m)	H:0.3 x W:0.27 x D:0.24
Cable Type	PVC	CBM (m³)	0.01944
Cable Length (m)	50m	G.W (kg)	5.5
Amp	13	EAN Barcode	5015056526539
Product Dimensions (Inch/cm)	H:9.7 x W:8.2 x D:7.8 H:24.7 x W:21 x D:20	ITF Barcode	05015056526638

Product Range

Product Image	Cat No	Size	Description	Length (m)	Sockets	Amps
	CMU10134SL-PX	S	Cassette Reel	10m	4 Sockets	13
	HMU15134SL-PX	M	Case Reel	15m	4 Sockets	13
	OMU25134SL-PX	L	Open Reel	25m	4 Sockets	13
	OLU50134SL-PX	XL	Open Reel	50m	4 Sockets	13
	OTLU40134SL-PX	XL	Heavy Duty Metal Open	40m	4 Sockets	13
	OMU2513FL3IP-PX	L	Reverse Open Reel	25+3m	1 Socket	13



Masterplug are proud to offer a 5 year guarantee on its range of Pro-XT portable power products from the date of purchase.

Please see our website www.masterplug-proxt.com for more details.

UK Sales & Distribution Centre

Nexus Industries Ltd, Nexus Distribution Centre
Stafford Park 1, Telford, Shropshire, England, TF3 3BD
Tel: +44 (0) 1952 238 100 Fax: +44 (0) 1952 238 180
Email: sales@masterplug.com

www.masterplug-proxt.com

Tech Help Line: (UK) 0845 194 7584
(Non UK) +44(0) 1952 238 100



**POWER
AT WORK**