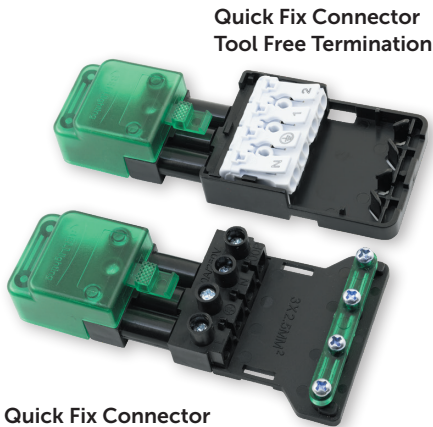


# FirestayLED

## Integrated LED Fixed Downlight

- IP65
- 30/60/90 minutes certified firestay
- Part B / C / E compliant
- White bezel & magnetic satin bezel
- Part L compliant



Quick Fix Connector  
Screw Fix Termination

IC Rated up to  
350mm insulation



Code	Description	Colour Temp	lm	cd	Beam <sup>0</sup>	Hrs
10500	6W Firestay LED Integrated Fixed Downlight, incl White & Satin Bezels. <b>Screw Fix Termination</b>	3000K	580	1050	40°	35000
10501	6W Firestay LED Integrated Fixed Downlight, incl White & Satin Bezels. <b>Screw Fix Termination</b>	4000K	595	1200	40°	35000
10502	6W Firestay LED Integrated Fixed Downlight, incl White & Satin Bezels. <b>Screw Fix Termination</b>	6000K	610	1150	40°	35000
10560	Chrome Magnetic Bezel for above	-	-	-	-	-
10561	Brass Magnetic Bezel for above	-	-	-	-	-
10562	Antique Brass Magnetic Bezel for above	-	-	-	-	-
10563	Matt Black Magnetic Bezel for above	-	-	-	-	-
08193	White Spacer Plate for above (100mm cut out)	-	-	-	-	-
08194	Satin Spacer Plate for above (100mm cut out)	-	-	-	-	-
08197	BELL Quick Fix Connector for above	-	-	-	-	-
10515	6W Firestay LED Integrated Fixed Downlight, incl White & Satin Oversize Bezels. <b>Tool Free Termination</b>	3000K	580	1050	40°	35000
10516	6W Firestay LED Integrated Fixed Downlight, incl White & Satin Oversize Bezels. <b>Tool Free Termination</b>	4000K	595	1200	40°	35000
10517	6W Firestay LED Integrated Fixed Downlight, incl White & Satin Oversize Bezels. <b>Tool Free Termination</b>	6000K	610	1150	40°	35000
10518	Chrome Magnetic Oversize Bezel for above	-	-	-	-	-
10519	Brass Magnetic Oversize Bezel for above	-	-	-	-	-
09598	BELL Universal LED Microprocessor Controlled Trailing Edge Dimmer Module	-	-	-	-	-
08196	Emergency Pack for Firestay LED Downlight	-	-	-	-	-

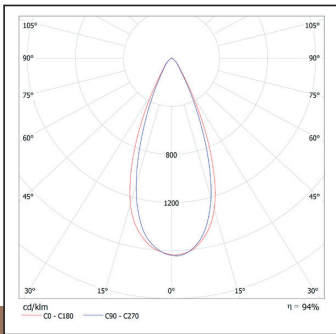


<sup>1</sup> Exceeds EU standard of 70 for Lumens Maintenance Ratio  
<sup>2</sup> Exceeds EU standard of RA 80 for Colour Rendering Index  
<sup>3</sup> Subject to terms & conditions (Contact Customer Service)

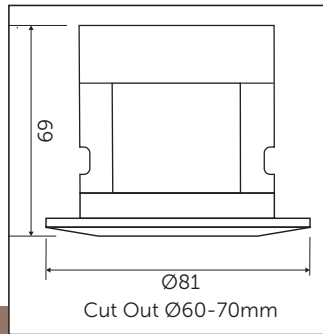
# Technical Specification

Data	
Construction	Aluminium
Driver	BELL
LED Chip	Samsung
IP Rating	IP65
Operating Temp	-5°C to +35°C
Input Voltage	220 - 240V
Power Factor	> 0.9
CRI	85 - Exceeds EU standard of Ra 80 for Colour Rendering Index
LMR	80 - Exceeds EU standard of 70 for Lumens Maintenance Ratio

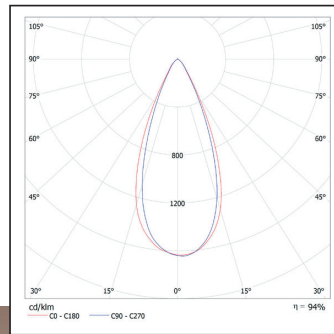
10500 6W



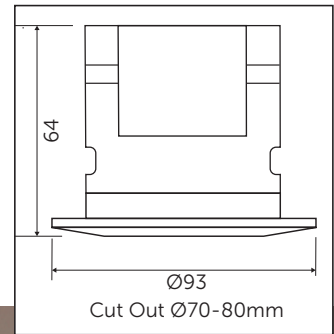
10500/1/2 6W



10515 6W



10515/6/7 6W



<sup>1</sup> Exceeds EU standard of 70 for Lumens Maintenance Ratio  
<sup>2</sup> Exceeds EU standard of RA 80 for Colour Rendering Index  
<sup>3</sup> Subject to terms & conditions (Contact Customer Service)