

# AF2 AFDD-RCBO Datasheet

## Type A, B curve, 6kA



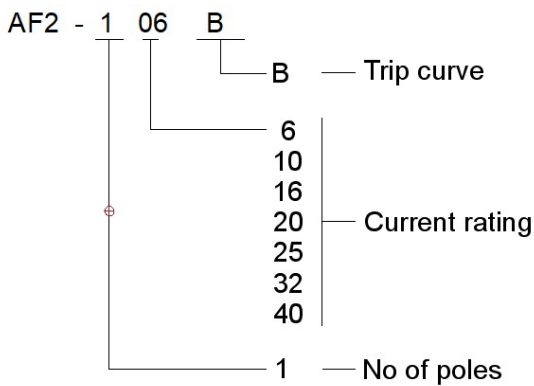
### CONSTRUCTION AND FEATURES:

- Uses microprocessor technology to identify dangerous electrical arcs that can cause fires
- Single module fits new installations or retrofit into existing installations as recommended in the 18th Edition wiring regulations
- A combination of AFD, RCD & MCB protection
- Integral test button
- LED trip diagnostics to troubleshoot fault condition
- DIN rail mounting

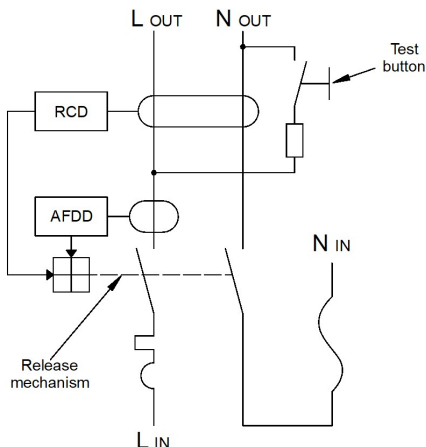
### TECHNICAL DATA:

- Electronic type
- Residual current characteristic: A, AC
- No of poles: 1P and switched neutral
- Trip curves: B (C curve also available)
- Rated voltage: 240V AC, 50/60Hz
- Short circuit capacity: 6kA
- Rated current (A): 6, 10, 16, 20, 25, 32, 40
- Rated residual operating current,  $I_{\Delta n}$  (mA): 30
- Conforms to: BS EN 62606 & 61009-1
- Max cable size: 16mm<sup>2</sup>

### PART NUMBER SELECTOR:



### WIRING DIAGRAM:



### DIMENSIONAL SKETCH:

