


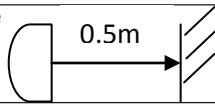
Incandescent Bulb Ceiling Fitting

INSTRUCTION MANUAL

Safety Warnings

- This product is only suitable for connection to a 240V~50Hz supply in accordance with current IEE wiring regulations, and should be installed in accordance with local Building Regulations. They are for domestic, indoor ceiling use only, and are **not** suitable for a Bathroom location.
- The light fitting should be connected to a lighting circuit protected by a 5 amp fuse (or a 6 amp miniature circuit breaker).
- Before installing your light fitting always switch off the mains supply, and remove the appropriate fuse or switch off the appropriate circuit breaker before commencing installation. Ensure that no one else has access that would enable the supply to be inadvertently reconnected.
- If the Class II, Double Insulated symbol  is on the Light Fitting, then the Fitting does **not** require an Earth, and Live or Neutral **must not** be connected to Earth. If there is no such symbol the Fitting **must** be Earthed. The terminal blocks are supplied according to requirements of the fitting.
- Never fit bulbs of a higher wattage than those specified on the label (as these may cause overheating and damage the fitting).
- This product may contain delicate parts – be careful during handling and maintenance to avoid breakage.
- If you are in any doubt about your competence please consult a qualified electrician.
- If any modification is made it will invalidate the warranty and may render the product unsafe.
- If there is a “Minimum Distance” Label, please do not allow Flammable Materials to rest within that distance from the lamps. If the Light Fitting must not be mounted on combustible surfaces there will be the below symbol on it. If there is no symbol then the Light Fitting may be mounted on any surface, including combustible ones.

Minimum Distance: This is the symbol which denotes this requirement.



Care Information

Allow 10 minutes to cool before replacing, adjusting or cleaning.

Clean with a dry cloth only. Do not use liquid or abrasive cleaners on this product.

Assembly/ User Instructions

Before you start

Please read these instructions carefully before fitting and retain for reference.

Check the packaging and make sure that you have all the required parts.

Follow each assembly step in order to prevent incorrect assembly.

Ensure that the product is fully assembled as illustrated before use.

Please note - This instruction covers multiple fitting styles. While all the steps to assemble your fitting will be the same, your individual product may vary from the diagram shown below.

The Light pack contains:

Light fitting.

Terminal connection block(s).

Fixing pack.

Lampholder covers (as required)

The following tools may be required:

Selection of cross and flat head screwdrivers.

Electric drill and assorted drill bits.

Wire strippers.

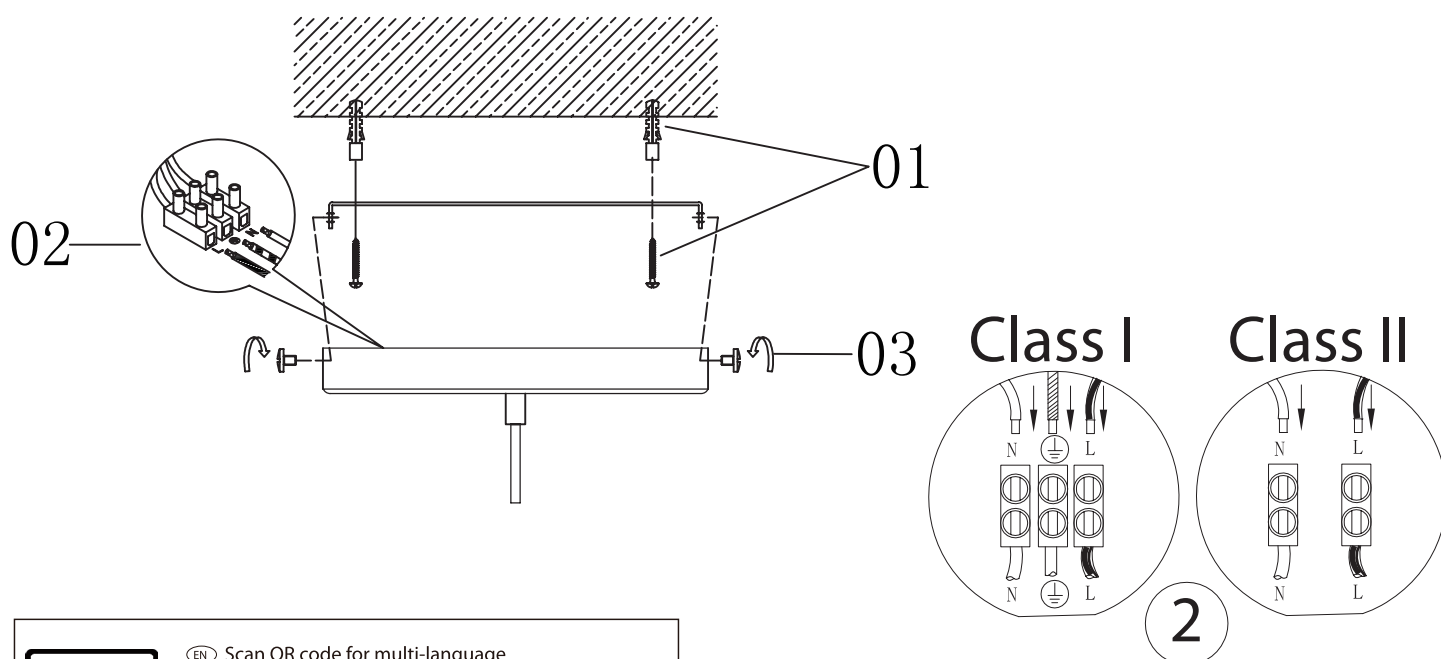
Allen Keys

Personal protection equipment

These assembly diagrams are intended as a guide – if in doubt consult a qualified electrician.

Assembly/ User Instructions Continued

1. Decide on the position of the light fitting / or remove existing light fitting. Take a note of the position of the electrical connections. Ensure there is a solid mounting surface, preferably a wooden joist or joist bridge to support the weight of the light fitting.
2. If you want to reduce the overall length of the fitting it is essential that this is done before the fitting is mounted to the ceiling and/ or connected to the mains supply. Remove the chain links until the desired length is reached. The cable must now be shortened and the excess cable cut and re-connected to the terminal block. Feed the cable up through the plastic bush and form a loop above the ceiling cup, and secure the cable. This might be done by moving the figure of 8 cable restraint down the exposed cable or by using a clamp or grub screw to grip the cable. **NOTE: The electric cable must always be longer than the chain to prevent strain being placed on the cable. If you are unsure about your ability to do this, we recommend you contact a qualified electrician.**
3. Refer to generic diagram; the Ceiling Cup is for pendants. Although three suspension wires are shown, Fittings may be supported by a single chain, a solid stem, the electrical cable or may have lamp holders mounted on the Ceiling Cup which will be a larger diameter than shown.
4. Remove the two side screws(3) and retain the screws for re-use. Use the fixing bracket as a template to mark the screw holes. Mark the screw holes and secure to the ceiling with appropriate screw fixings (1), making sure the bracket is correctly aligned.
5. Support your fitting and connect the house wiring to the terminal block – see expanded wiring details below.
6. Secure the ceiling cup over the bracket by using the screws (3) removed in Point 4.
7. Slide the lampholder covers or “Candle Tubes” over the lamp holders, and affix any decorative beads, **if appropriate for your fitting.**
8. If there are shades, they can be fitted by removing the shade ring, sliding the shade over the lampholder and replacing the shade ring.
9. Fit the bulb(s). **NOTE: Never fit bulbs of a higher wattage than those specified on the label (as these may cause overheating and damage the fitting).**
10. Turn on the power and test.



- (EN) Scan QR code for multi-language
- (FR) Scannez le code QR pour plusieurs langues
- (ES) Escanee el código QR para varios idiomas
- (PL) Zeskanuj kod QR dla wielu języków
- (DE) Scannen Sie den QR-Code nach mehreren Sprachen
- (IT) Scansiona il codice QR per multilingua