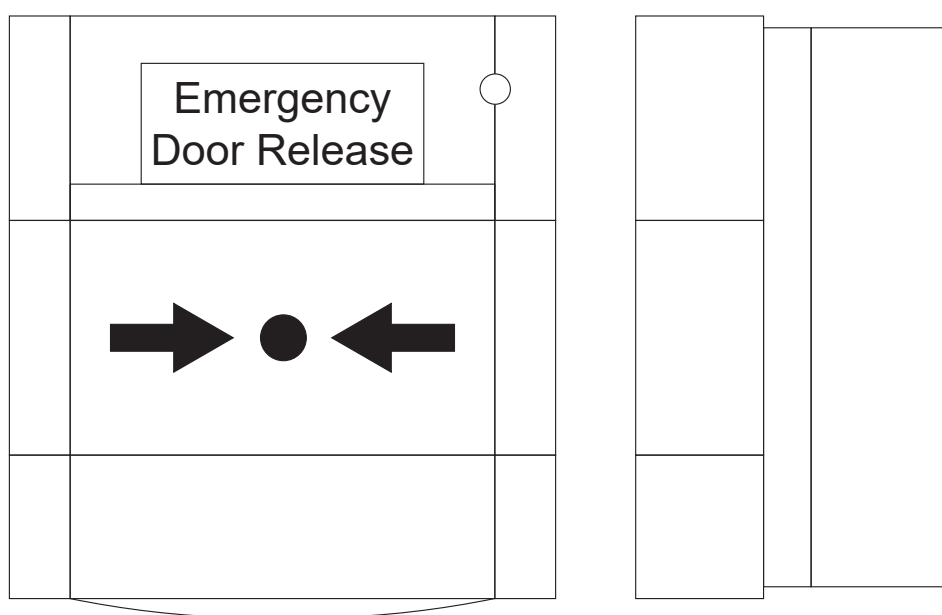


# A1ECP Manual

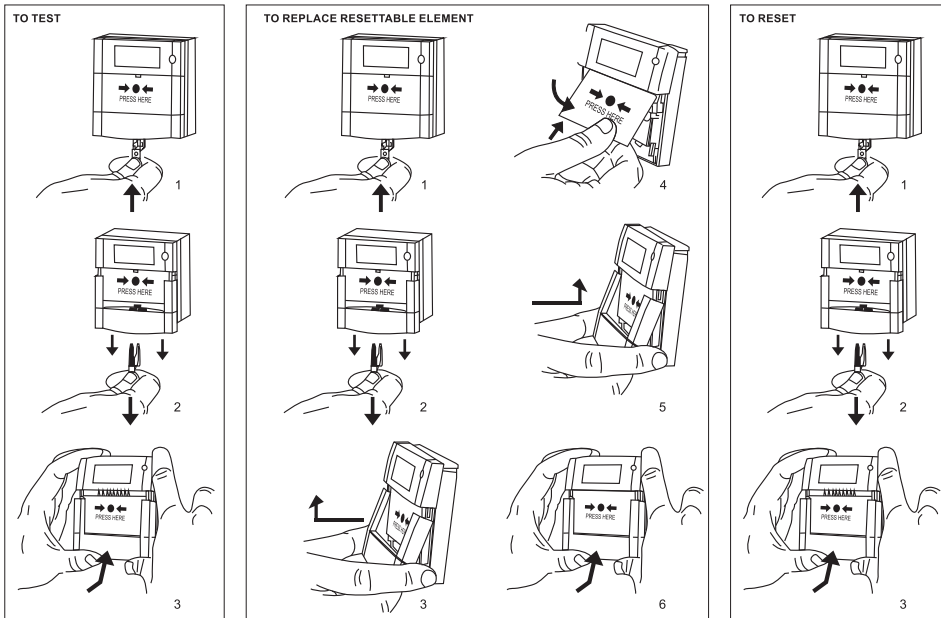
## Aperta Green Internal Emergency Call Point



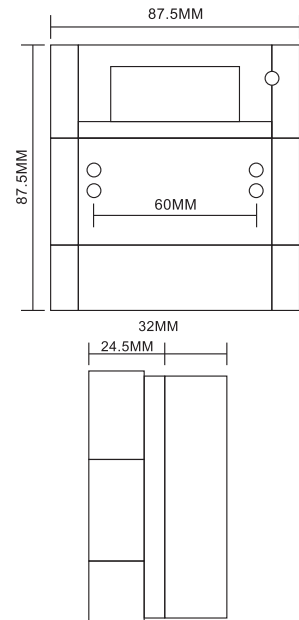
The latest product manuals and software is available online:  
[https://www.espuk.com/technical\\_support](https://www.espuk.com/technical_support)



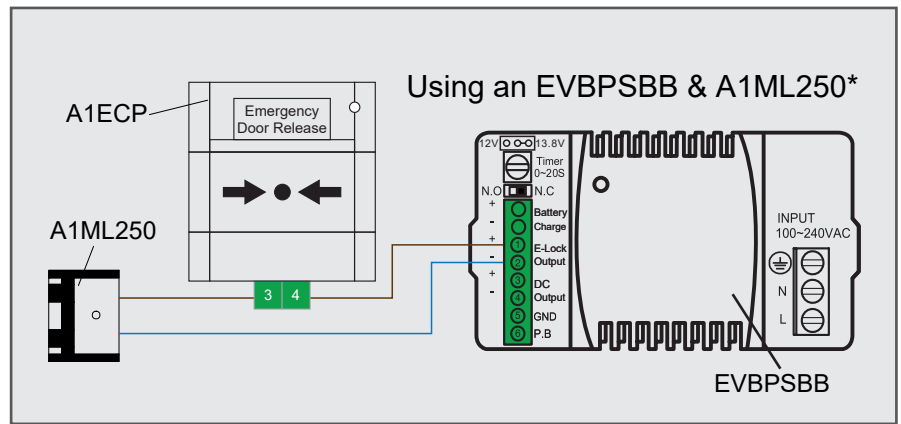
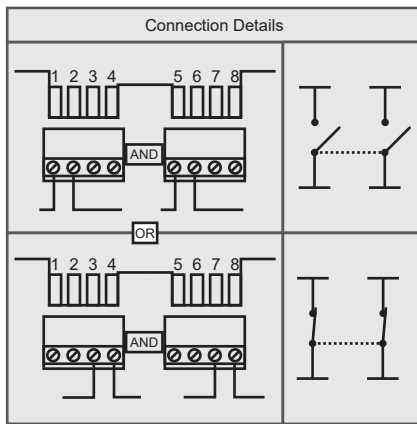
## Installation



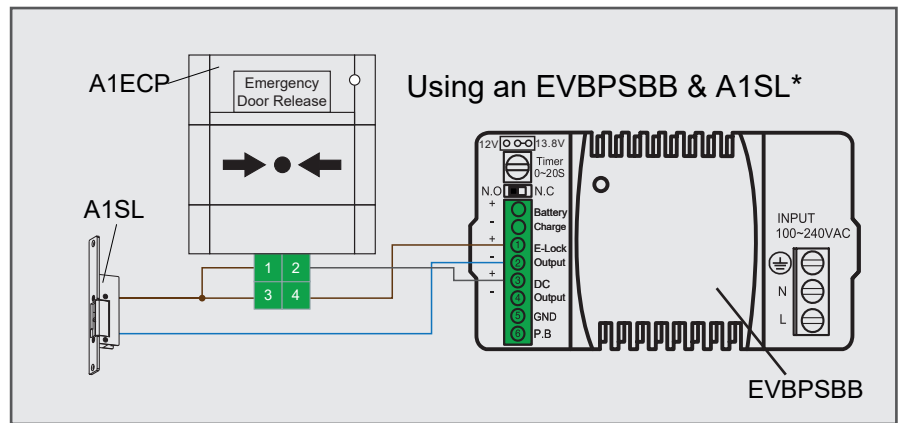
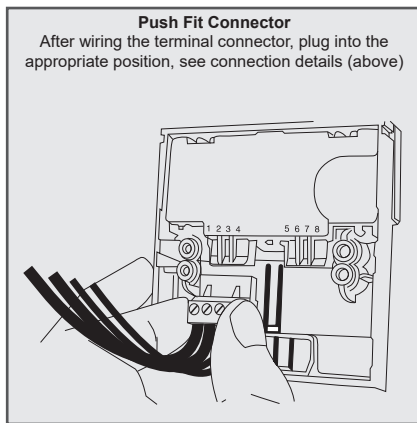
## Dimensions



## Connections



Notice: EVBPSBB or A1ML250 or A1SL not included



## Contact



●●●●● ScolmoreGROUP

Elite Security Products UK, Unit 7 Target Park, Shawbank Road, Lakeside, Redditch, Worcestershire, B98 8YN  
Tel: +44(0) 1527 51 51 50 Fax: +44(0) 1527 15 01 43 Email: info@espu.com  
Registered in England, Company Registration Number: 02769392, VAT Registration: GB614686525

For more product information please visit [www.espu.com](http://www.espu.com)  
E&OE - Errors and Omissions Excepted. I22

