

## DATA SHEET: TEMBREAK 2 ZE125-NJ MCCB WITH INTEGRAL RESIDUAL CURRENT PROTECTION (CBR)

MCCB Electrical Characteristics to IEC 60947-1, IEC 60947-2, IEC 60947-2 ANNEX B, IEC 60755

Frame Reference	Quantity	Unit	Condition	TB2 S125
Maximum In (A) of Frame				125
Model				ZE125
Number of Poles				3,4
Type				NJ
Nominal current ratings				
	$I_n$	(A)	50°C	20,32 50,63 100,125
Electrical characteristics				
Rated operational voltage	$U_e$	(V)	AC 50/60 Hz	525
Rated insulation voltage	$U_i$	(V)		525
Rated impulse voltage	$U_{imp}$	(kV)		8
Ultimate breaking capacity (IEC, JIS,AS/NZS)	$I_{cu}$	(kA)	525V AC	8
			440V AC	15
			400/415V AC	25
			220/240V AC	35
Service breaking capacity (IEC, JIS,AS/NZS)	$I_{cu}$	(kA)	525V AC	6
			440V AC	12
			400/415V AC	19
			220/240V AC	27
Energy withstand (EN 61008)	$I^2 t$	(kA <sup>2</sup> s)		>22.5
Peak current withstand (EN 61008)	$I_{peak}$	(A)		> 3.3
Protection				
Adjustable thermal, fixed magnetic Residual current protection, Type A Utilisation Category				■ ■ A
Installation				
Front Connection (FC)				■
Extension Bar (FB)				•
Cable Clamp (FW)				•
Rear Connection (RC)				•
Plug-in (PM)				-
Din Rail Mounting (DA)				•
Dimensions:	height	(mm)		155
	width	(mm)	3 pole	90
			4 pole	120
	depth	(mm)		68
Weight	weight	(kg)	3 pole	1.1
			4 pole	1.4
Operation				
Direct Opening Action				■
Toggle operation				■
Door mounted (HS)/ Breaker mounted handle (HB)				•
Motor operation				•
Residual Current Monitor and Remote Trip Module				•
Endurance	Electrical Mechanical	cycles cycles	415V AC	30,000 30,000

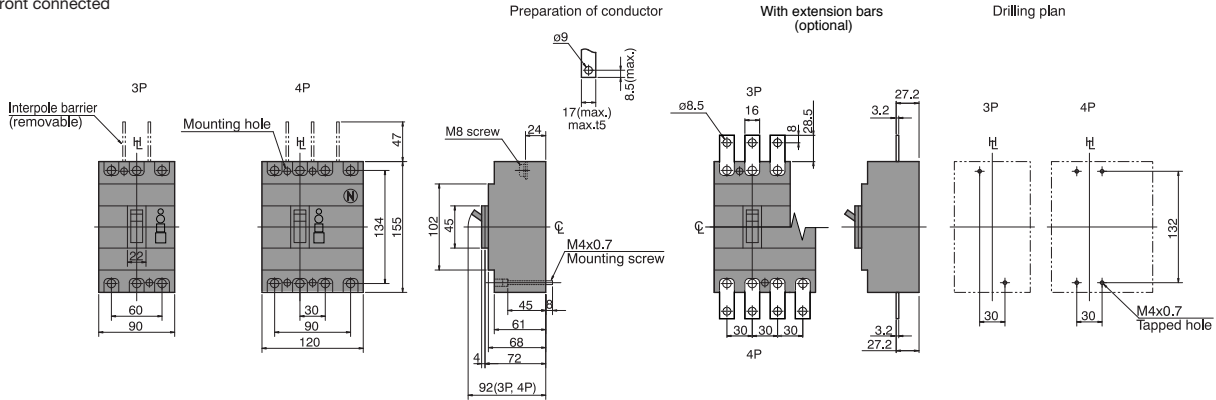
■ Standard    • Optional    - Not Available

# DATA SHEET: TEMBREAK 2 ZE125-NJ MCCB WITH INTEGRAL RESIDUAL CURRENT PROTECTION (CBR)

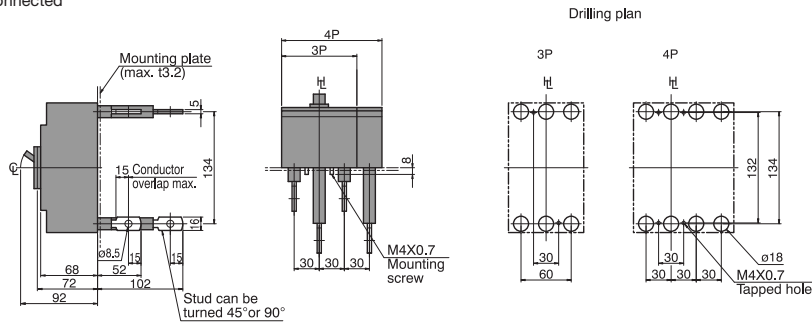
## Outline Dimensions ZE125-NJ

ASL: Arrangement Standard Line H<sub>L</sub>: Handle Frame Centre Line

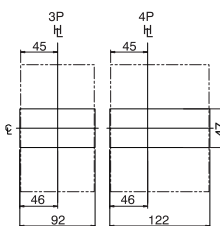
Front connected



Rear connected



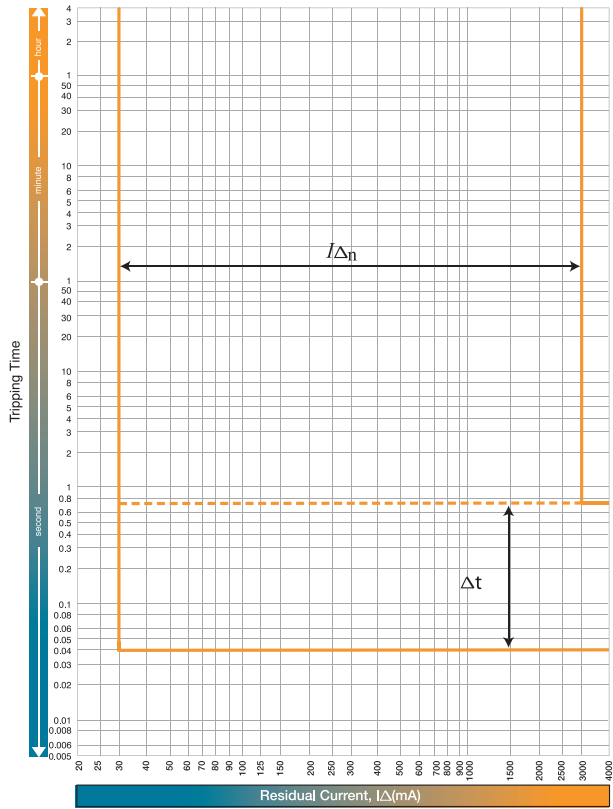
Panel cutout  
(Front view)



Panel cutout dimensions shown give an allowance of 1.0mm or more around the handle escutcheon.

# DATA SHEET: TEMBREAK 2 ZE125-NJ MCCB WITH INTEGRAL RESIDUAL CURRENT PROTECTION (CBR)

Time/Current Characteristic Curves  
ZE125-NJ,



Time/Current Characteristic Curves  
ZE125-NJ,

