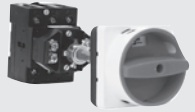


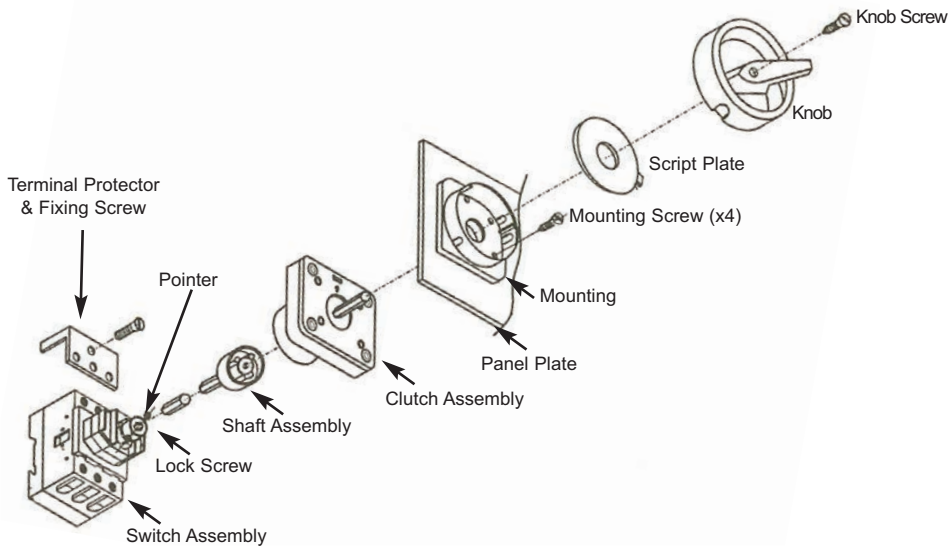
⚠ Important Safety Notice ⚠

It is the responsibility of the person installing the electrical equipment to ensure that the installation meets the requirements of the IET wiring regulations and is therefore 'fit for purpose'. Factors such as correct selection of components, cable sizing, protective devices and Earth bonding are all critical and should be checked prior to full testing and power-up. Any other regulations applicable to the equipment being installed such as the Machinery Directive and current health and safety legislation must also be adhered to.



Terminals, including factory fitted, should be checked periodically to ensure correct tightness.

Approvals			CB, CE & SEMKO							
UL Standard			UL508							
International / European Standard			IEC & EN 60947-1 and 3							
			Switch Codes							
DATA	Range	Units	LBDI253P LBDI256P	LBDI323P LBDI326P	LBDI403P LBDI406P	LBDI633P LBDI636P	LBDI803P LBDI806P	LBDI1003P LBDI1006P	LBDI1253P LBDI1256P	
Rated operational voltage U_e										
IEC & EN	Volts	V	690	690	690	690	690	690	690	
UL	Volts	V	600	600	600	600	600	600	600	
Main switch: Isolating voltage up to	Volts	V	750	750	750	750	750	750	750	
Rated impulse withstand voltage U _{imp}	Volts	kV	6	6	6	6	6	6	6	
Rated uninterrupted current I _u	Amps	A	25	32	40	63	80	100	125	
Rated operational current I_e										
IEC & EN	AC-22A	Up to 690V	A	25	32	40	63	80	100	125
	AC-21A	Up to 690V	A	32	40	63	80	80	100	125
	AC-1	Up to 690V	A	32	40	63	80	80	100	125
Rated operational power AC-23A (50-60Hz)										
IEC & EN	3 Phase	230(240)V	kW	11	15	22	30	37	45	55
		400(415)V	kW	15	18.5	30	37	45	55	75
		690V	kW	22	22	45	45	90	90	90
Rated operational power AC-3 (50-60Hz)										
IEC & EN	3 Phase	230(240)V	kW	7.5	11	15	22	30	37	45
		400(415)V	kW	11	11	18.5	22	37	45	55
		690V	kW	15	15	30	30	55	55	55
UL Power Rating										
DOL	3 Phase	120V	hp	3	3	5	7.5	5	7.5	7.5
		240V	hp	7.5	7.5	10	15	20	20	30
		480V	hp	15	20	20	25	30	30	40
		600V	hp	20	25	30	30	40	40	50
	1 Phase	120V	hp	1.5	2	3	3	3	3	3
		240V	hp	2	3	5	7.5	7.5	7.5	7.5
UL Short Circuit Ratings										
Fuse rating, class J	Amps	A	45	45	70	70	125	125	125	
Fuse rating, class RK5	Amps	A	-	-	-	-	-	-	-	
Rated Fused short circuit current	Amps	kA	10	10	10	10	10	10	10	
Short Circuit Capacity (IEC)										
Max fuse size (Type gl)	Amps	A	32	32	63	63	125	125	125	
Rated Fused short circuit current	Amps	kA	30	30	30	30	30	30	30	
Terminal Specification										
Single/ Multiple strand wire	Min-mm ²		2.5	2.5	2.5	2.5	2.5	2.5	2.5	
	Max-mm ²		10	10	25	25	50	50	50	
Fine strand with sleeve	Min-mm ²		0.75	0.75	2.5	2.5	4	4	4	
	Max-mm ²		6	6	10	10	50	50	50	
American wire gauge	AWG		10	10	6	6	1	1	1	
Recommended Tightening Torque	Nm		1.7	1.7	2.0	2.0	2.5	2.5	2.5	

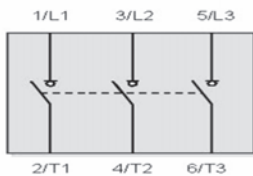


Mounting Procedure for Door Interlock Switches:

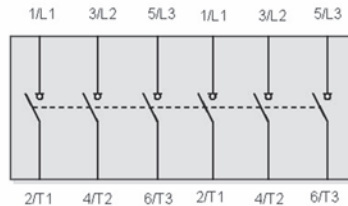
- Fix clutch assembly keeping arrows upwards and position the knob in the OFF position
- Fix the switch in-line with clutch assembly
- Cut the shaft to the appropriate length and tighten the lock screws (recommended tightening torque 1.2Nm)

Terminal Configuration

3 Pole

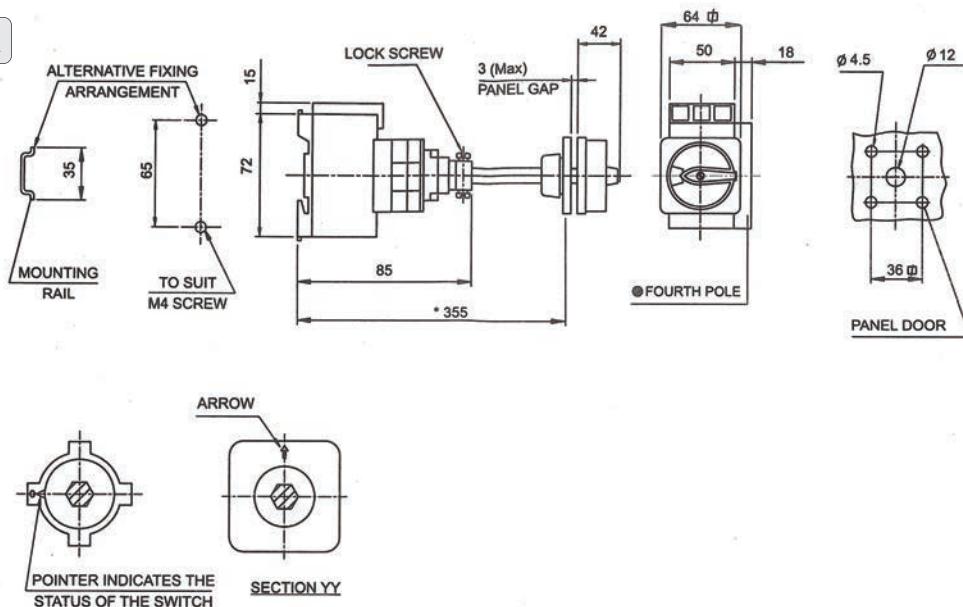


6 Pole

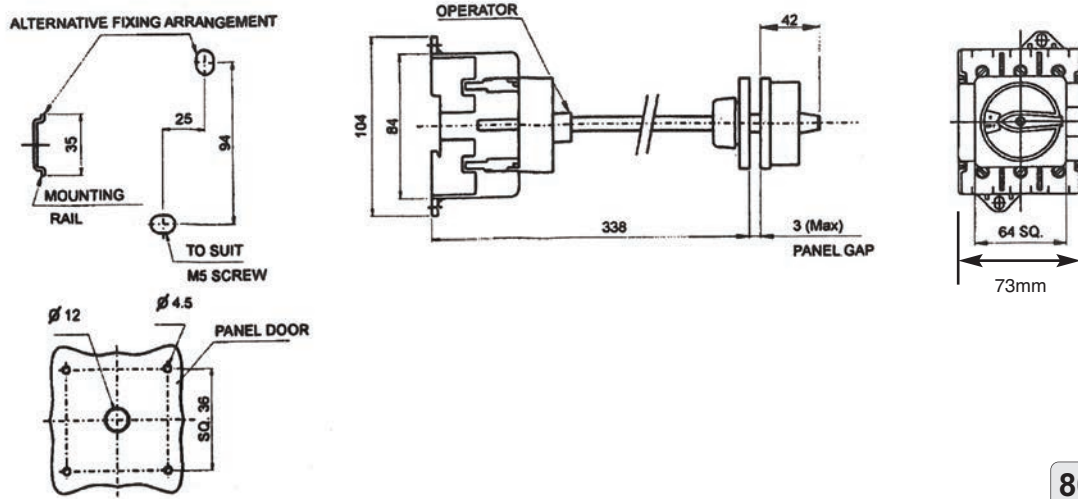


3 Pole Dimensions

25 to 63A



3 Pole Dimensions



6 Pole Dimensions

