

### ⚠ Important Safety Notice ⚠

It is the responsibility of the person installing the electrical equipment to ensure that the installation meets the requirements of the IET wiring regulations and is therefore 'fit for purpose'. Factors such as correct selection of components, cable sizing, protective devices and Earth bonding are all critical and should be checked prior to full testing and power-up. Any other regulations applicable to the equipment being installed such as the Machinery Directive and current health and safety legislation must also be adhered to.

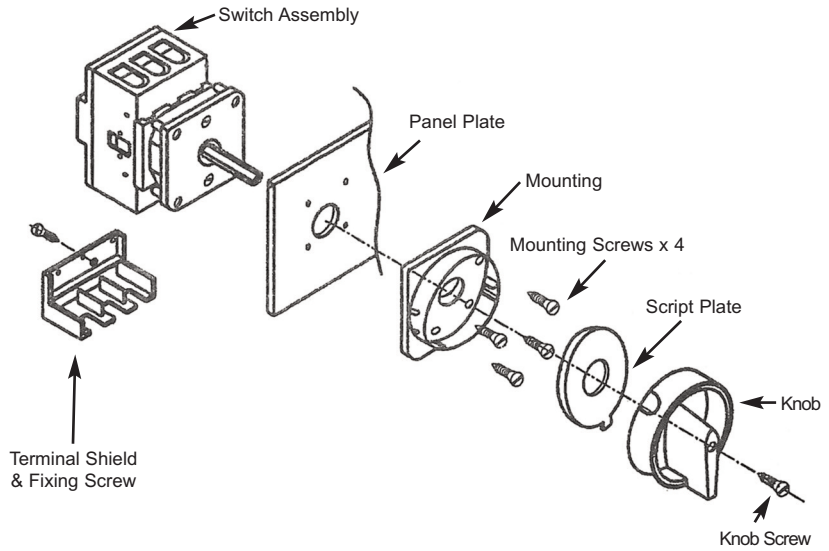
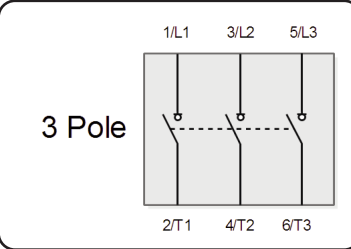
Terminals, including factory fitted, should be checked periodically to ensure correct tightness.



Approvals			CB, CE & SEMKO						
UL Standard			UL508						
International / European Standard			IEC & EN 60947-1 and 3						
			<b>Switch codes</b>						
<b>DATA</b>	<b>Range</b>	<b>Units</b>	<b>LBPM253P</b>	<b>LBPM323P</b>	<b>LBPM403P</b>	<b>LBPM633P</b>	<b>LBPM803P</b>	<b>LBPM1003P</b>	
<b>Rated operational voltage U<sub>e</sub></b>									
IEC & EN	Volts	V	690	690	690	690	690	690	
UL	Volts	V	600	600	600	600	600	600	
Main switch: Isolating voltage up to	Volts	V	750	750	750	750	750	750	
Rated impulse withstand voltage U <sub>imp</sub>	Volts	kV	6	6	6	6	6	6	
Rated uninterrupted current I <sub>u</sub>	Amps	A	25	32	40	63	80	100	
<b>Rated operational current I<sub>e</sub></b>									
IEC & EN	<b>AC-22A</b>	Up to 690V	A	25	32	40	63	80	100
	<b>AC-21A</b>	Up to 690V	A	32	40	63	80	80	100
	<b>AC-1</b>	Up to 690V	A	32	40	63	80	80	100
<b>Rated operational power AC-23A (50-60Hz)</b>									
IEC & EN	3 Phase	230(240)V	kW	11	15	22	30	37	45
		400(415)V	kW	15	18.5	30	37	45	55
		690V	kW	22	22	45	45	90	90
<b>Rated operational power AC-3 (50-60Hz)</b>									
IEC & EN	3 Phase	230(240)V	kW	7.5	11	15	22	30	37
		400(415)V	kW	11	11	18.5	22	37	45
		690V	kW	15	15	30	30	55	55
<b>UL Power Rating</b>									
DOL	3 Phase	120V	hp	3	3	5	7.5	5	7.5
		240V	hp	7.5	7.5	10	15	20	20
		480V	hp	15	20	20	25	30	30
		600V	hp	20	25	30	30	40	40
	1 Phase	120V	hp	1.5	2	3	3	3	3
		240V	hp	2	3	5	7.5	7.5	7.5
<b>UL Short Circuit Ratings</b>									
Fuse rating, class J	Amps	A	45	45	70	70	125	125	
Fuse rating, class RK5	Amps	A	-	-	-	-	-	-	
Rated Fused short circuit current	Amps	kA	10	10	10	10	10	10	
<b>Short Circuit Capacity (IEC)</b>									
Max fuse size (Type gl)	Amps	A	32	32	63	63	125	125	
Rated Fused short circuit current	Amps	kA	30	30	30	30	30	30	
<b>Terminal Specification</b>									
Single/ Multiple strand wire	Min-mm <sup>2</sup>		2.5	2.5	2.5	2.5	2.5	2.5	
	Max-mm <sup>2</sup>		10	10	25	25	50	50	
Fine strand with sleeve	Min-mm <sup>2</sup>		0.75	0.75	2.5	2.5	4	4	
	Max-mm <sup>2</sup>		6	6	10	10	50	50	
American wire gauge	AWG		10	10	6	6	1	1	
Recommended Tightening Torque	Nm		1.7	1.7	2.0	2.0	2.5	2.5	

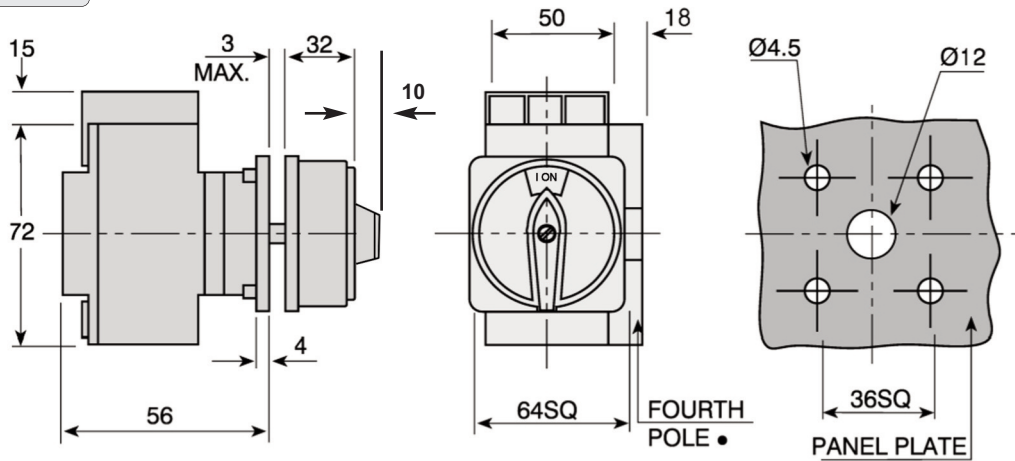


### Terminal Configuration



### 3 Pole Panel Mount Loadbreak Switch Dimensions (mm)

#### 25 to 63A



#### 80 to 100A

