
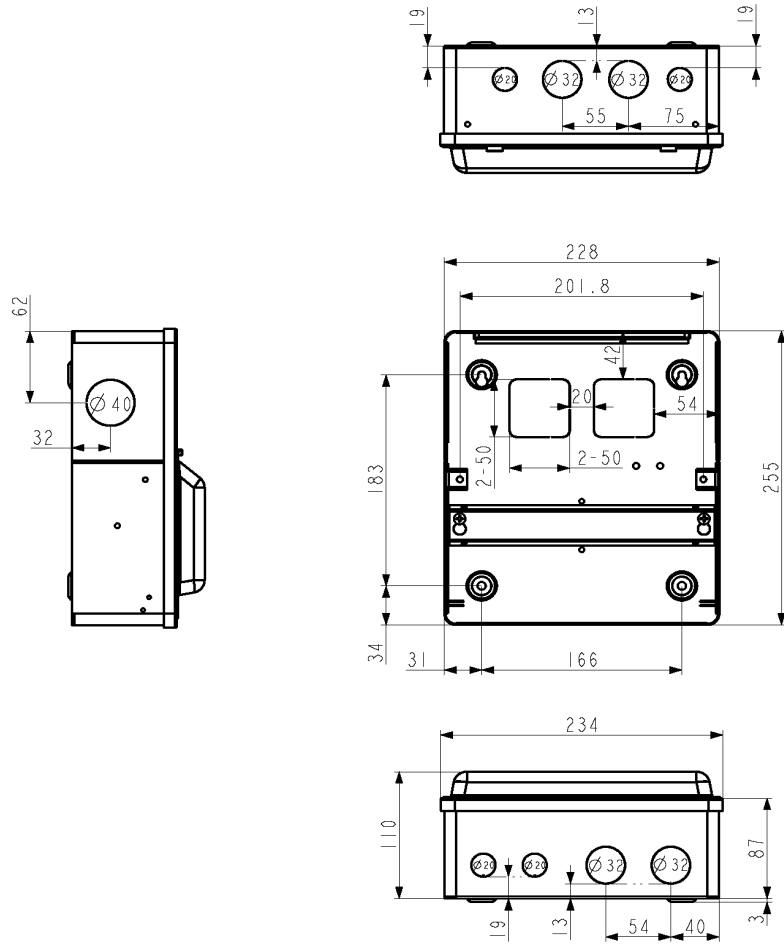




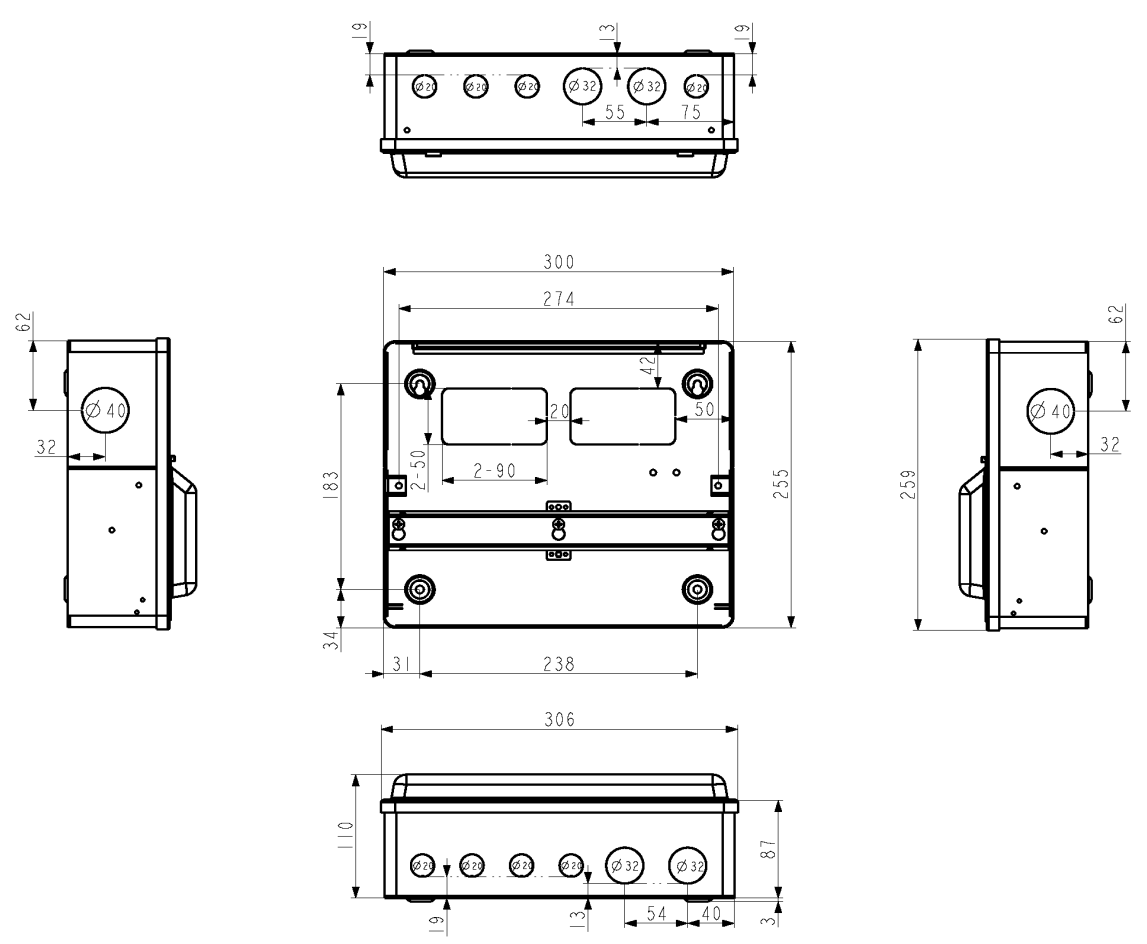
| | MAIN SWITCH (100A) | | | | | | |  |
|-------------------------------------|---|---------------|---------------|---------------|---------------|---------------|---------------|---|
| NUMBER OF USABLE WAYS | 4 | 7 | 11 | 15 | 21 | 22 | 30 | |
| PART NUMBER WITH T2 SPD | F2004M | F2007M | F2011M | F2015M | F2021M | F2022M | F2030M | |
| GTIN-13 | 5060523523863 | 5060523523870 | 5060523523887 | 5060523523894 | 5060523523900 | 5060523524051 | 5060523524075 | |
| CARTON QUANTITY | 8 | 6 | 4 | 4 | 4 | 2 | 2 | |
| DIMENSION DRAWING | 6P | 10P | 14P | 18P | 24P | 28P | 36P | |
| WEIGHT (1PC) Kg | 2.3 | 2.8 | 3.2 | 3.8 | 4.8 | 7.8 | 8 | |
| DIMENSIONS (HxWxD)mm | 259x162x113 | 259x234x113 | 259x306x113 | 259x378x113 | 259x486x113 | 512x306x113 | 512x378x113 | |
| DOUBLE BANK | N | N | N | N | N | Y | Y | |
| TAIL CLAMP COMPATIBLE (ACCF) | Y | Y | Y | Y | Y | Y | Y | |
| STANDARD | EN 61439-3 | | | | | | | |
| RATED VOLTAGE (Un/AC) | 230V | | | | | | | |
| FREQUENCY (Hz) | 50/60 | | | | | | | |
| PROTECTION DEGREE (IP) | 2XC | | | | | | | |
| MAXIMUM TERMINAL BAR CAPACITY | 16mm ² | | | | | | | |
| TERMINAL BAR TIGHTENING TORQUE (Nm) | 2.0 | | | | | | | |
| DEVICE MOUNTING | 35mm DIN RAIL | | | | | | | |
| MATERIAL | 1mm ELECTRO GALVANISED STEEL (ZINC) | | | | | | | |
| FINISH | RAL 9001 POWDER COATED SMOOTH FINISH | | | | | | | |
| KNOCKOUTS | SELECTION 20mm - 40mm | | | | | | | |
| ACCESSORY PACK | CIRCUIT IDENTIFICATION LABELS / GROMMET STRIP | | | | | | | |
| ORIGIN OF MANUFACTURE | CHINA | | | | | | | |

DIMENSIONS

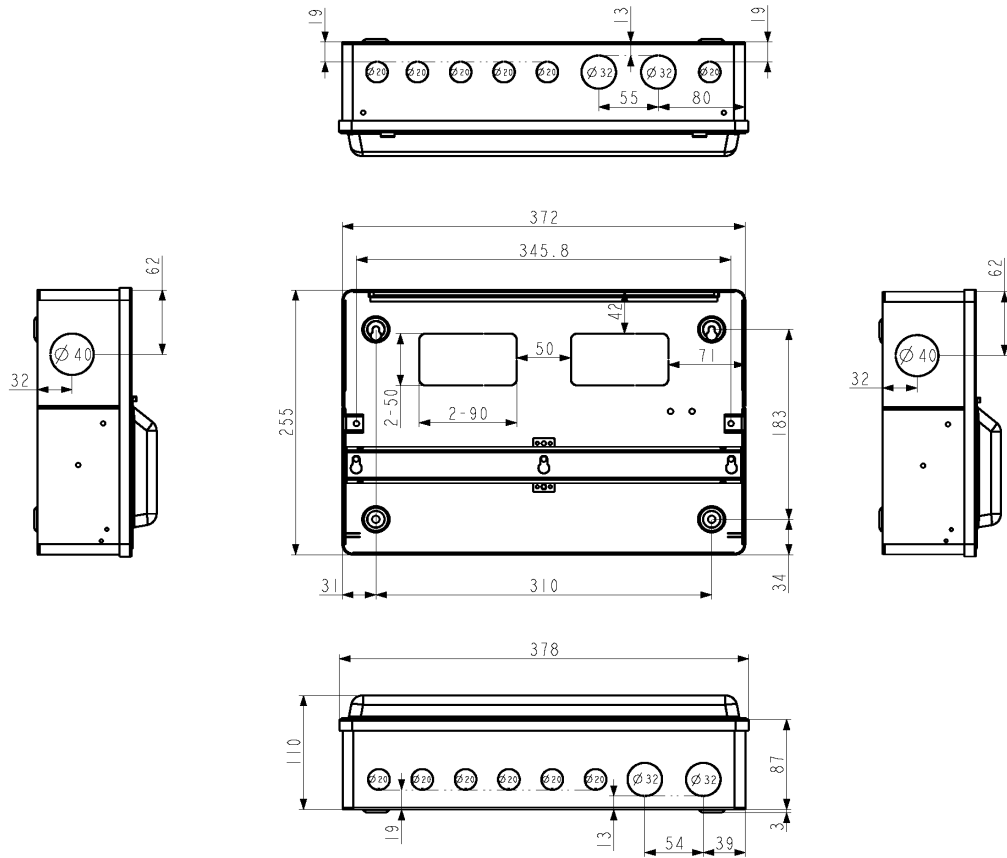
10P



14P



18P



24P

