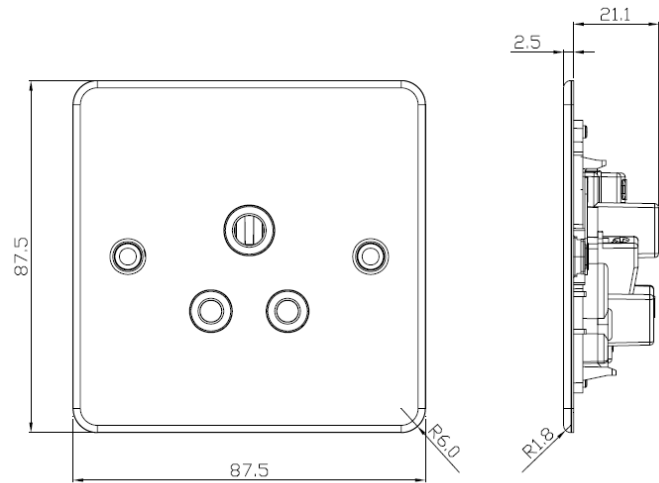


Flat plate 5A unswitched round socket



MLA Part number	FP5APB	FP5APC	FP5APCG	FP5APCW	FP5APLW
Description	Flat Plate 5A unswitched socket				
Dimensions (mm)	Height – 87.5 Width - 87.5 Projection – 2.5				
Net. Weight (kg)	0.08				
Min mounting box depth	25mm				
Voltage	230V				
Load	5A				
IP rating	IP20				
Terminal capacity	2 x 1.0mm ² or 2 x 1.5mm ²				
Standard	BS 546				
Warranty	15 year				
Construction	Premium grade steel				
Origin of manufacture	China				
Manufactured in accordance with	BS 546				
Declaration of Conformity (held on file)	Yes				
EAN	5055832921073	5055832922087	5055832968573	5055832925088	5055832926207

