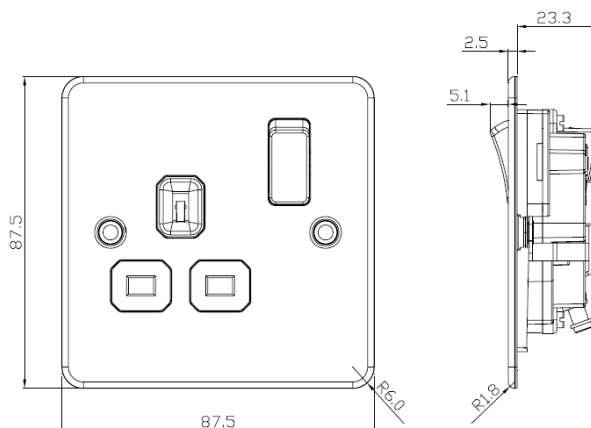


Flat plate 13A switched socket



Ideal upgrade to existing single switched sockets.

MLA part code	FPR7000BB	FPR7000BC	FPR7000BCG	FPR7000BCW	FPR7000GM
Description	Flat plate 13A 1G switched socket outlet				
Insert colour	Black		Grey	White	Black
Overall Dimensions (mm)	Width - 87.5 Height - 87.5 Projection -2.5				
Nett Weight (kg)	0.1				
Min. mounting depth	25mm				
Input Voltage	Mains 230V 50 Hz				
Maximum Load	13A				
IP rating	IP20				
Terminal capacity	3x 2.5mm or 2 x 4mm				
Manufactured in accordance with	BS 1363-2				
Warranty	15 years, 3 years on electronic components				
Construction	Premium grade steel				
Origin of manufacture	China				
Declaration of Conformity (held on file)	Yes				
EAN	5055832957423	5055832957362	5055832960126	5055832957393	5055832957454

