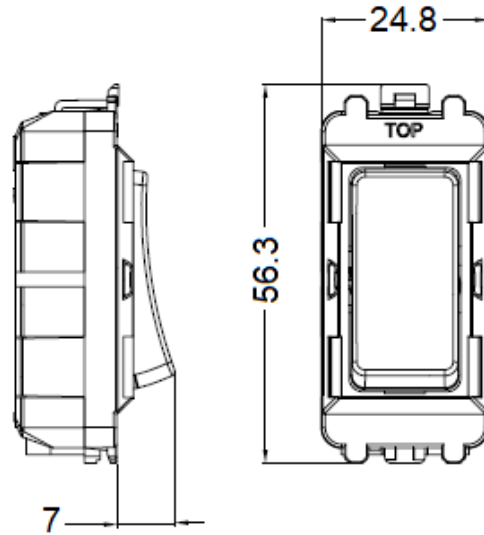


20AX 2-way SP module (centre off)



MLA part code	GDM004BC	GDM004MW	GDM004PC	GDM004U	GDM004MB
Description	20AX 2-way single pole module (centre off)				
Finish	Brushed chrome	Matt white	Polished chrome	White	Matt black
Nett weight (kg)	0.027				
Dimensions (mm)	Width – 24.8 Height – 56.3 Projection – 7				
Input voltage	Mains 230V 50Hz				
Min. mounting depth (mm)	35				
Maximum load (A)	20AX				
IP rating	IP20				
Terminal capacity	3 x 1.5mm or 2 x 2.5mm				
Construction	Steel & ABS				
Warranty	15 years				
Origin of Manufacture	China				
Declaration of Conformity (held on file)	Yes				
Manufactured in accordance with	BS EN 60669-1				
EAN	5055832963554	5055832963561	5055832963578	5055832963585	5056270801125