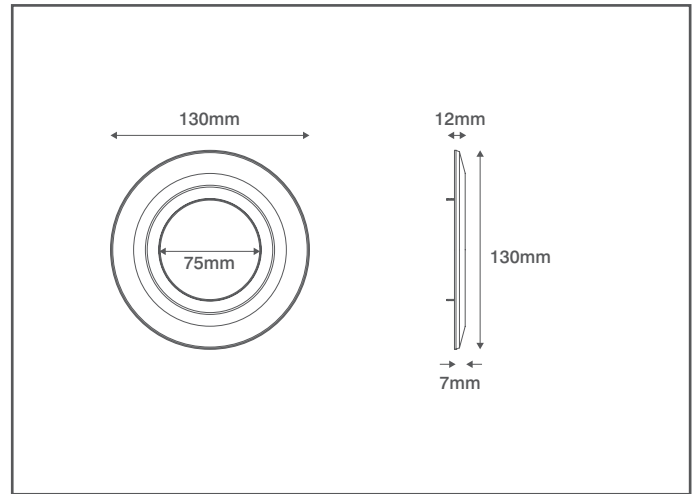
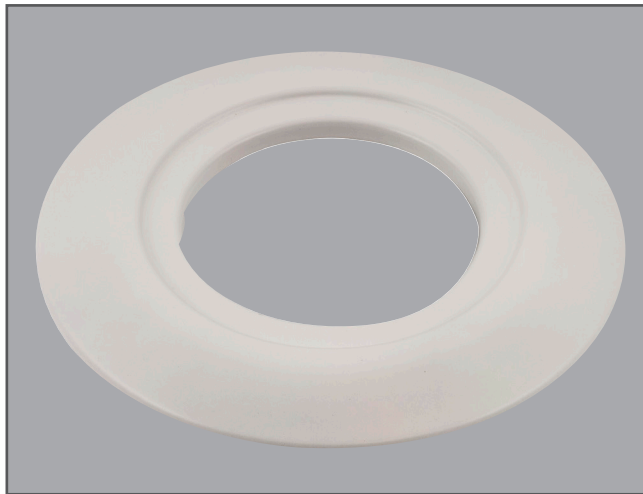


# ACCESSORIES

## Technical Specification

Product Code: OVSP3120WH

Description: 130mm Diameter (75mm Aperture) Converter Plate - White



### General Information

Dimensions	130mm Diameter x 7mm (D)
Materials	Plate: Powdercoated Steel
Finish	White
Product Weight	0.12Kg
Cutout	Up to 120mm Diameter
Ingress Protection	IP20
Warranty	2 Years

### Other Dimensions

Aperture Dimension	75mm Diameter
Downlight Bezel Dimension	90mm Diameter Maximum

### Compatible Fittings

Inceptor® Omni (fixed & adjustable), Inceptor® Nano (adjustable) & Inceptor® Pico FG Downlights

