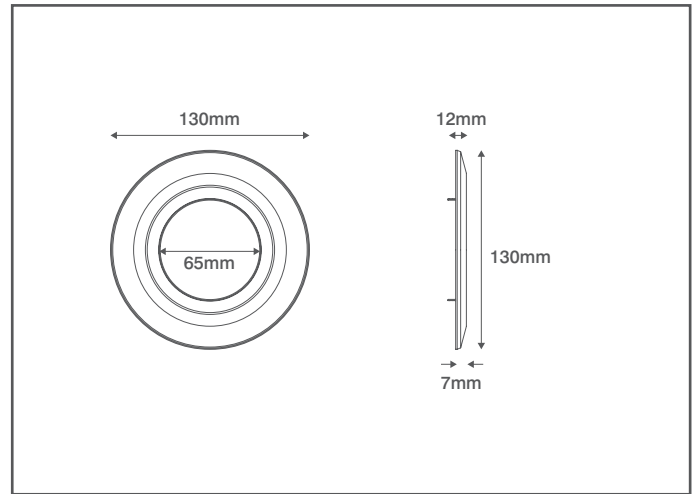
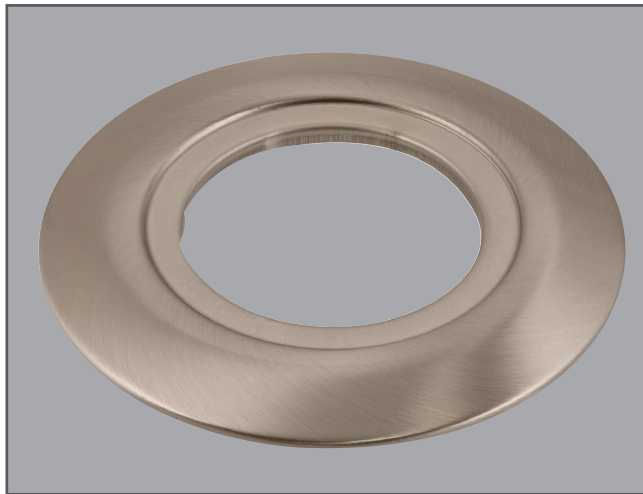


ACCESSORIES

Technical Specification

Product Code: OVSP4120SC

Description: 130mm Diameter (65mm Aperture) Converter Plate - Satin Chrome



General Information

Dimensions	130mm Diameter x 7mm (D)
Materials	Plate: Electroplated Steel
Finish	Satin Chrome
Product Weight	0.1Kg
Cutout	Up to 120mm Diameter
Ingress Protection	IP20
Warranty	2 Years

Other Dimensions

Aperture Dimension	65mm Diameter
Downlight Bezel Dimension	83mm Diameter Maximum

Compatible Fittings

Inceptor® Nano (fixed) and standard Inceptor® Pico downlights.

