



## 13A UK Socket Outlets



Electrophoretically coated plates and back boxes provide a durable and long lasting heavy duty finish to the Metal Clad range of products.

All Metal Clad 13A Sockets are tested and approved to BS1363 offering assured quality and safety through our BSI Kitemark Licence KM10807.

## 13A UK Socket Outlets

### Product Range

#### 13A UK Socket Outlets

<b>CL035</b>	13A 1 Gang DP Switched Socket Outlet
<b>CL036</b>	13A 2 Gang DP Switched Socket Outlet (Twin Earth)

#### 13A UK Socket Outlets (No Knockouts In Back Box)

<b>CL035B</b>	13A 1 Gang DP Switched Socket Outlet
<b>CL036B</b>	13A 2 Gang DP Switched Socket Outlet (Twin Earth)



CL035, CL035B

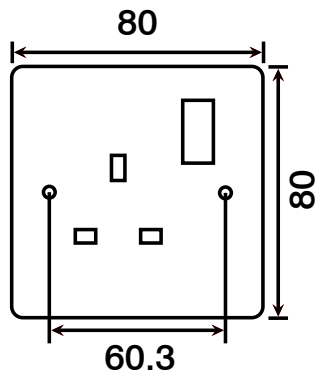


CL036, CL036B

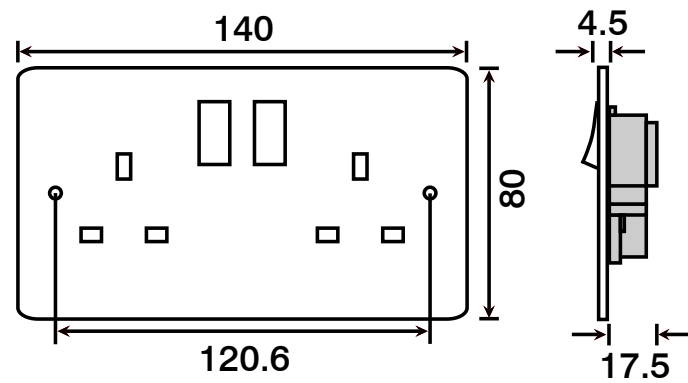
## 13A UK Socket Outlets

### Product Dimensional Drawings (mm)

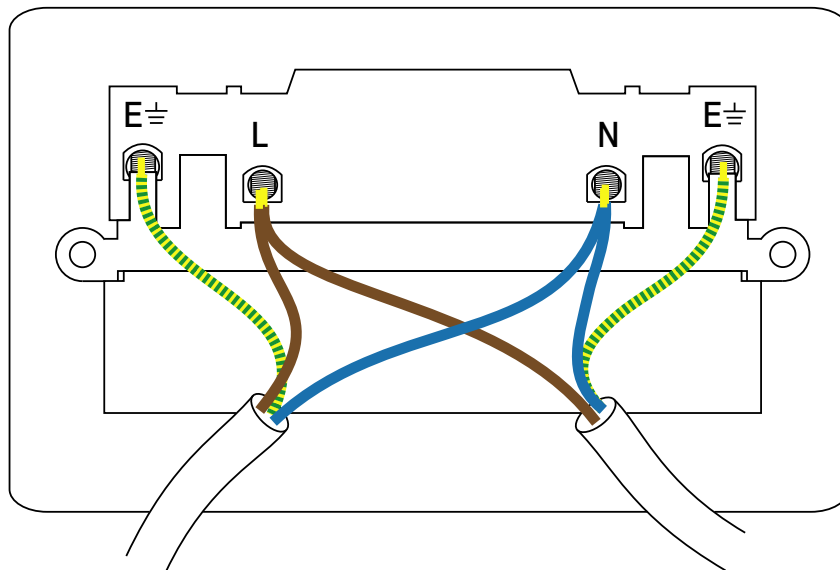
CL035, CL035B



CL036,036B



### Product Wiring Diagram



## 13A UK Socket Outlets

### Technical Specification

#### 13A UK Socket Outlets

<b>Material Composition</b>	Front Plate & Back Box: Electrophoretically Coated Steel Rocker Switch & Rear Housing: Urea Terminals: Brass Earth Strap: Mild Steel Terminal Screws: Steel & Yellow Passivated Silver "on-lay" Copper / Brass Contacts
<b>Voltage</b>	240V~ 50Hz
<b>Current Rating</b>	13A
<b>Terminal Size</b>	5mm ø
<b>Torque Value</b>	2.5Nm
<b>Cable Size</b>	4 x 2.5mm <sup>2</sup>
<b>Back Box Depth</b>	40mm Supplied
<b>Knockout Size</b>	20mm
<b>Double Pole</b>	Yes
<b>Twin Earth</b>	(CL036)
<b>Warranty</b>	10 Years
<b>IP Rating</b>	IP20
<b>Operational Temperature</b>	-5° to +40°C
<b>Standards</b>	BSI Kitemark Approved (Licence KM10807) BS 1363-2:1995+A4:2012

### Additional Information

Ensure that the mains supply is isolated before commencing installation and refer to the circuit diagram with the relevant product.

Bare earth cables must always be covered with appropriate sleeving and wired to the earth terminal.

## DECLARATION OF CONFORMITY

1. *Issuer Name* Scolmore International Limited
2. *Issuer Address* 1 Scolmore Park, Landsberg,  
Lichfield Road Industrial Estate,  
Tamworth, Staffordshire, B79 7XB
3. *Object(s) of Declaration* Metal Clad Range
  - a. *Group* Socket Outlets
  - b. *Model No.* CL035, CL035B, CL036, CL036B
4. *The object of the declaration described above is in conformity with the requirements of the following Legislations:*
5. *All products contained within the aforementioned comply with the relevant standards and requirements listed below.*

BSI Kitemark Licence KM10807  
BS 1363-2: 1995 + A4: 2012

6. *I hereby declare that the equipment named above has been designed to comply with the relevant sections of the above referenced specifications. The unit complies with all applicable Essential Requirements of the Directives.*

*In conjunction with the above all manufacture and process controls are in accordance with ISO 9001:2008*

Signed, for and on behalf of: Scolmore International Limited



Steven Bettson BSc - Senior Technical Support Engineer

# CE 15