



20A Control Switches



The Click MODE range has recently been expanded to include a range of anthracite grey finished accessories to comply with current Building Regulations Part M.

Part M 20A Control Switches are designed to fit effortlessly with the range, with simple installation to enhance the décor of any area.

20A Control Switch

Product Range

20A Control Switch With Flex Outlet (Through Bottom)

CMA023AG

20A Double Pole Switch with Neon

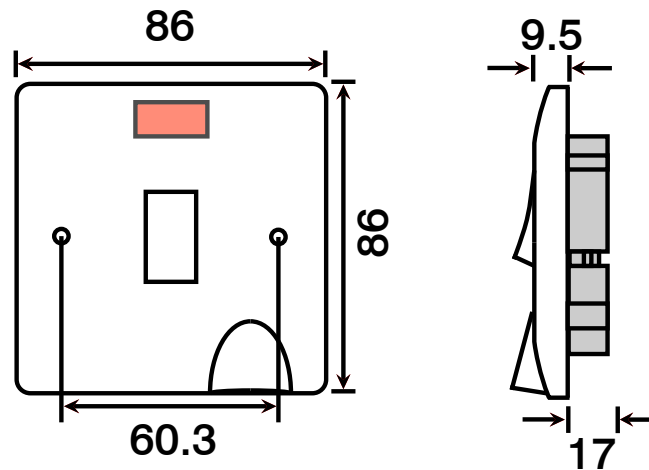


CMA023AG

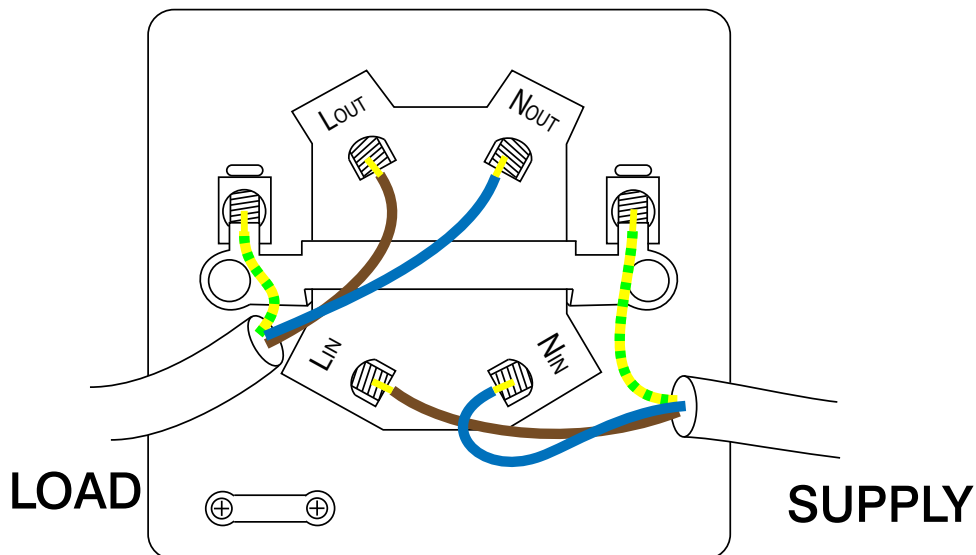
20A Control Switch

Product Dimensional Drawings (mm)

CMA023AG



Wiring Diagrams



20A Control Switch

20A Control Switch

Technical Specification

20A Control Switch

Material Composition	Front Plate & Rocker Switch: Urea
	Rear Housing: Urea & Nylon
	Terminals: Brass, Terminal Screws: Steel & Yellow Passivated
	Internal Mechanism: Formed Press Brass
	Silver “on-lay” Copper / Brass Contacts
Voltage	240V~ 50Hz
Current Rating	20A
Terminal Size	5mm ø
Torque Value	1.8Nm
Cable Size	4 x 2.5mm ²
Back Box Depth	25mm - 47mm
Double Pole	Yes
Twin Earth	Yes
Warranty	20 Years
Anti Microbial Certified	Yes
LRV Value	8.9
IP Rating	IP20
Operational Temperature	-5° to +40°C
Standards	The Low Voltage Directive 2006/95/EC, Modified ISO 22196 BS EN 60669-1:1999 + A1:2002 + A2:2008

Additional Information

Ensure that the mains supply is isolated before commencing installation and refer to the circuit diagram with the relevant product.

Bare earth cables must always be covered with appropriate sleeving and wired to the earth terminal.

All white moulded accessories are manufactured using Urea Formaldehyde, which has similar inherent properties to antimicrobial additives that inhibit the growth of infectious diseases. All products were independently tested and achieved a 99.9% kill rate across all four types of the strains of bacteria - MRSA, E-Coli, Salmonella, and Klebsiella Pneumoniae.

Part M Range

DECLARATION OF CONFORMITY

1. *Issuer Name* Scolmore International Limited
2. *Issuer Address* 1 Scolmore Park, Landsberg,
Lichfield Road Industrial Estate,
Tamworth, Staffordshire, B79 7XB
3. *Object(s) of Declaration* Part M Range
- a. *Group* 20A Double Pole Switch
- b. *Model No.* CMA023AG
4. *The object of the declaration described above is in conformity with the requirements of the following Legislations:*
- | Document No | Title |
|-------------|-----------------------|
| 2006/95/EC | Low Voltage Directive |

5. *All products contained within the aforementioned comply with the relevant standards and requirements listed below.*

EN 60669-1:1999 + A1:2002 + A2:2008

6. *I hereby declare that the equipment named above has been designed to comply with the relevant sections of the above referenced specifications. The unit complies with all applicable Essential Requirements of the Directives.*

In conjunction with the above all manufacture and process controls are in accordance with ISO 9001:2008

Signed, for and on behalf of: Scolmore International Limited



Steven Bettson BSc - Senior Technical Support Engineer

CE 15