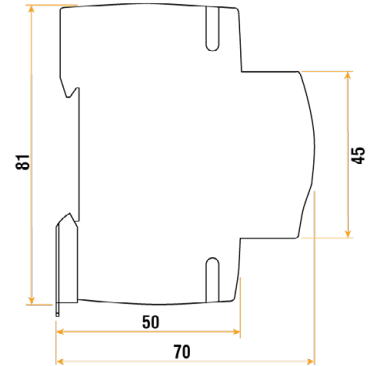


Product Code: CU1BLANK

Description: Single Way Din Rail Blank Module



General Information

Overall Dimensions	18mm (W) x 81mm (H) x 70mm (D)
Finish	Light Grey (RAL 7035)
Operational Temperature	-25°C to +40°C
Ingress Protection	IP20
Warranty	3 Years