



## *Power Socket Outlets*



The smooth modern lines of the Define accessory plate will fit easily into traditional and contemporary designs alike.

All Define 13A sockets are tested and approved to BS1363 offering assured quality and safety through our BSI Kitemark Licence KM10807.

13A UK Socket Outlets

Product Range

Finish Comparison



Brushed Steel (BS)



Black Nickel (BN)



Pearl Nickel (PN)



Polished Chrome (CH)



Stainless Steel (SS)

**13A UK Socket Outlets**

**Product Range**

**'Ingot' 13A UK Socket Outlets**

**FP\*\*535##**

'Ingot' 13A 1 Gang DP Switched Socket Outlet

**FP\*\*536##**

'Ingot' 13A 2 Gang DP Switched Socket Outlet (Twin Earth)



FPBN535BK

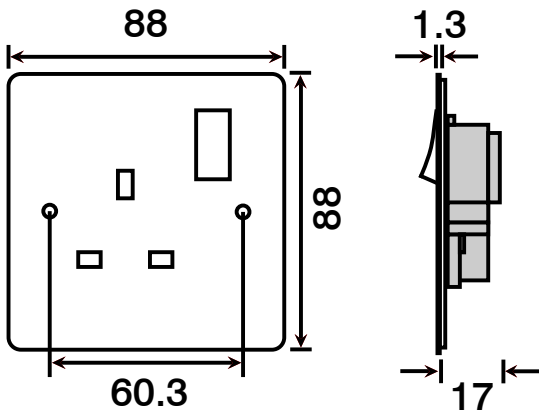


FPBS536WH

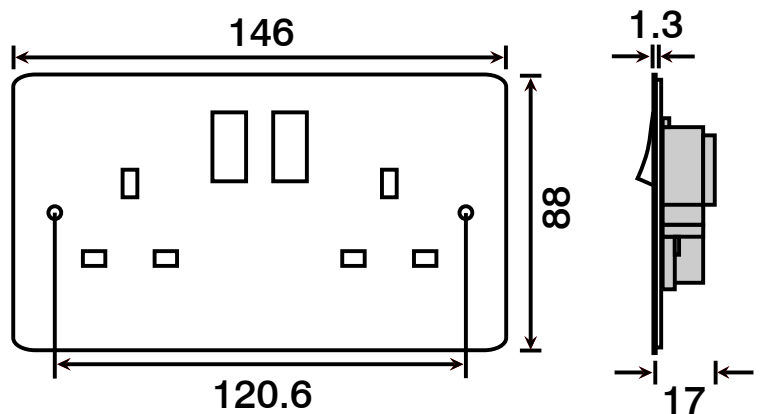
**13A UK Socket Outlets**

**Product Dimensional Drawings (mm)**

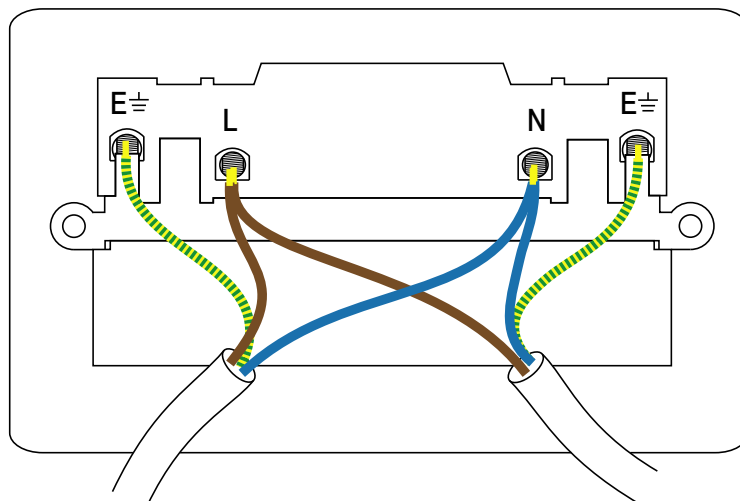
FP\*\*535



FP\*\*536



**Product Wiring Diagram**



## 13A UK Socket Outlets

### Technical Specification

#### 13A UK Socket Outlets

<b>Material Composition</b>	Front Plate: Stainless Steel
	Rear Housing: Urea
	Terminals: Brass
	Earth Strap: Mild Steel
	Terminal Screws: Steel & Yellow Passivated
	Silver “on-lay” Copper / Brass Contacts
<b>Voltage</b>	240V~ 50Hz
<b>Current Rating</b>	13A
<b>Terminal Size</b>	5mm ø
<b>Torque Value</b>	2.5Nm
<b>Cable Size</b>	4 x 2.5mm <sup>2</sup>
<b>Back Box Depth</b>	35mm - 47mm
<b>Switched</b>	Yes
<b>Double Pole</b>	Yes
<b>Twin Earth</b>	(536)
<b>Warranty</b>	10 Years
<b>IP Rating</b>	IP20
<b>Operational Temperature</b>	-5° to +40°C
<b>Standards</b>	The Low Voltage Directive 2006/95/EC
	BS 1363-2: 1995 + A4: 2012 (KM10807 Kitemark License)

### Additional Information

Ensure that the mains supply is isolated before commencing installation and refer to the circuit diagram with the relevant product.

Bare earth cables must always be covered with appropriate sleeving and wired to the earth terminal.

## DECLARATION OF CONFORMITY

1. *Issuer Name* Scolmore International Limited
2. *Issuer Address* 1 Scolmore Park, Landsberg,  
Lichfield Road Industrial Estate,  
Tamworth, Staffordshire, B79 7XB
3. *Object(s) of Declaration* Define Range
  - a. *Group* Sockets
  - b. *Model No.* FP-535, FP-536
4. *The object of the declaration described above is in conformity with the requirements of the following Legislations:*

Document No	Title
2006/95/EC	Low Voltage Directive

5. *All products contained within the aforementioned comply with the relevant standards and requirements listed below.*

KM10807 Kitemark License  
BS 1363-2: 1995 + A4: 2012

6. *I hereby declare that the equipment named above has been designed to comply with the relevant sections of the above referenced specifications. The unit complies with all applicable Essential Requirements of the Directives.*

*In conjunction with the above all manufacture and process controls are in accordance with ISO 9001:2008*

Signed, for and on behalf of: Scolmore International Limited



Steven Bettson BSc - Senior Technical Support Engineer

# CE 15