



Blank Module



GRIDPRO[®] offers a comprehensive range of modules in multiple finishes to offer ultimate flexibility. The GRIDPRO[®] range will complement your existing Click installation, as the range was specifically designed to seamlessly match our existing ranges of Click[®] accessories.

Blank Module

Product Range

Finish Comparison



Antique Brass (AB)



Polished Brass (BR)



Black (BK)



Polished Chrome (CH)



Satin Chrome (SC)



Satin Brass (SB)



Polar White (PW)



Black Nickel (BN)



Pearl Nickel (PN)



Stainless Steel (SS)



Brushed Steel (BS)

Blank Module

Product Range

Blank Module

GM2008##**

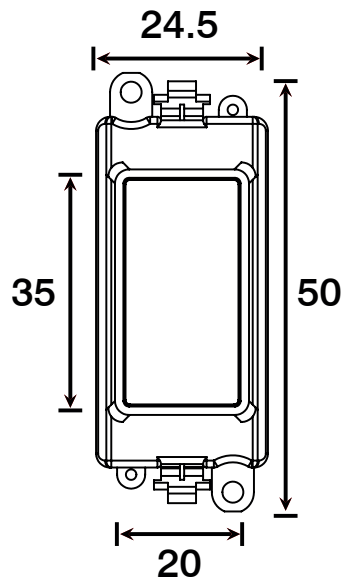
Blank Module



GM2008BKSS

Product Dimensional Drawings (mm)

GM2008



Errors & Omissions excluded. Specification is subject to change without notice. ** Denotes Insert Colour, ## Denotes Module Finish

Blank Module

Technical Specification

Blank Module

| | |
|--------------------------------|--|
| Material Composition | Module Front: Nylon or Nylon + Stainless Steel Cover (Ingot) Cover: Nylon |
| Back Box Depth | 25mm - 47mm (Deco, Deco+, Mode, Polar) 35mm - 47mm (Define, Definity) |
| Modular | Yes |
| Warranty | 10 Years |
| IP Rating | IP20 |
| Operational Temperature | -5° to +40°C |
| Standards | BS 5733:2010 (where applicable) |

Additional Information

Ensure that the mains supply is isolated before commencing installation and refer to the circuit diagram supplied with the relevant product.

Bare earth cables must always be covered with appropriate sleeving and wired to the earth terminal.



EU DECLARATION OF CONFORMITY

1. *Issuer Name* Scolmore International Limited
2. *Issuer Address* 1 Scolmore Park, Landsberg,
Lichfield Road Industrial Estate,
Tamworth, Staffordshire, B79 7XB
3. *Object(s) of Declaration* GRID PRO Range
 - a. *Group* Blank Module
 - b. *Model No.* GM2008
4. *The object of the declaration described above is in conformity with the requirements of the following Legislations:*
5. *All products contained within the aforementioned comply with the relevant standards and requirements listed below.*

BS 5733: 2010

6. *I hereby declare that the equipment named above has been designed to comply with the relevant sections of the above referenced specifications. The unit complies with all applicable Essential Requirements of the Directives.*

In conjunction with the above all manufacture and process controls are in accordance with ISO 9001:2008.

This declaration has been issued under the sole responsibility of the manufacturer, signed at, for and on behalf of: Scolmore International Limited

R Turner

Ross Turner - Technical Support Engineer