



Power Socket Outlets



The smooth modern lines of the Definity accessory plate will fit easily into traditional and contemporary designs alike.

All Definity 13A sockets are tested and approved to BS1363 offering assured quality and safety through our BSI Kitemark Licence KM10807.

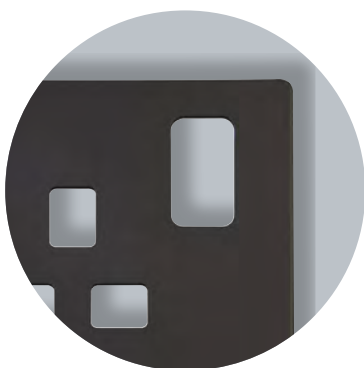
13A UK Socket Outlets

Product Range

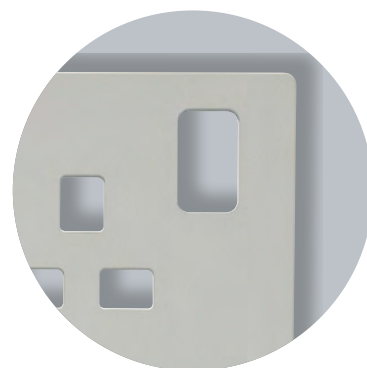
Finish Comparison



Brushed Steel (BS)



Matt Black (BK)



Polar White (PW)



Polished Chrome (CH)



Stainless Steel (SS)

13A UK Socket Outlets

Product Range

13A UK Socket Outlet Inserts

SIN035**	13A 1 Gang DP Switched Socket Outlet Insert
SIN036**	13A 2 Gang DP Switched Socket Outlet (Twin Earth) Insert
SIN630**	13A 1 Gang Socket Outlet Insert (Twin Earth)

'Ingot' 13A UK Socket Outlet Inserts

SIN535**##	'Ingot' 13A 1 Gang DP Switched Socket Outlet Insert
SIN536**##	'Ingot' 13A 2 Gang DP Switched Socket Outlet (Twin Earth) Insert



SIN035PW



SIN036BK



SIN630PW



SIN535BKCH



SIN536PWBS

13A UK Socket Outlets

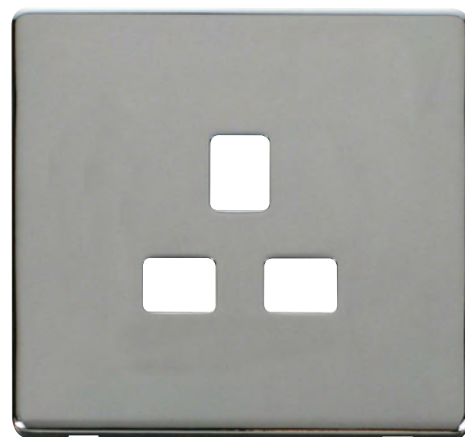
Product Range

13A UK Socket Outlet Cover Plates

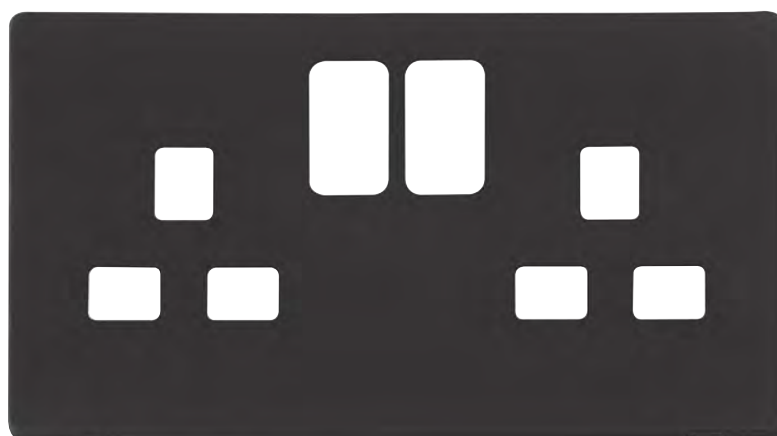
SCP435##	13A 1 Gang DP Switched Socket Outlet Cover Plate
SCP436##	13A 2 Gang DP Switched Socket Outlet (Twin Earth) Cover Plate
SCP430##	13A 1 Gang Socket Outlet Cover Plate (Twin Earth)



SCP435BS



SCP430CH

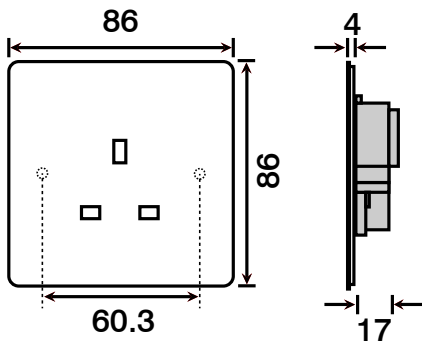


SCP436BK

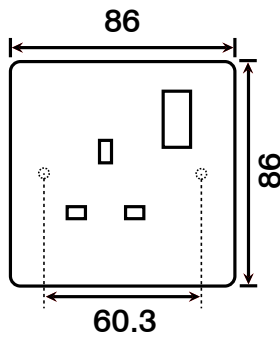
13A UK Socket Outlets

Product Dimensional Drawings (mm)

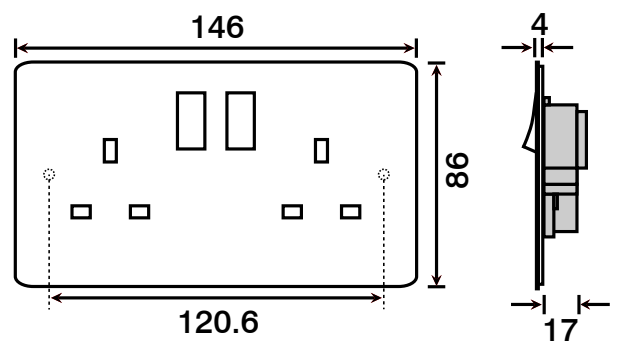
SIN630



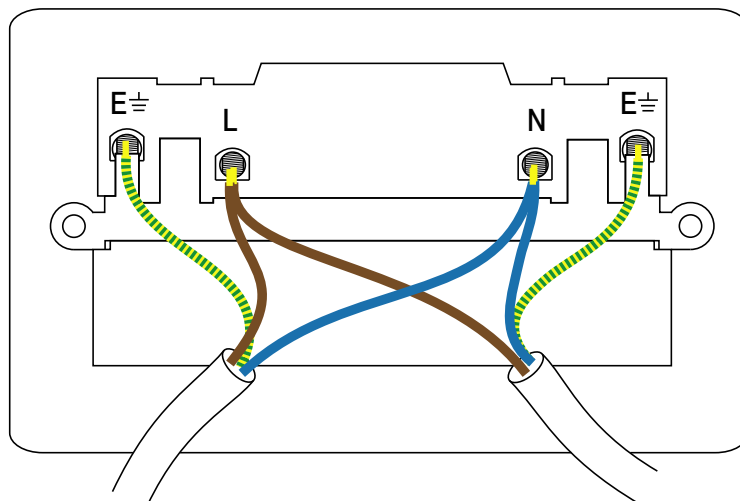
SIN035, 535



SIN036, 536



Product Wiring Diagram



13A UK Socket Outlets

Technical Specification

13A UK Socket Outlets

Material Composition	Insert: Polycarbonate
	Rear Housing: Urea
	Terminals: Brass
	Earth Strap: Mild Steel
	Terminal Screws: Steel & Yellow Passivated
	Silver “on-lay” Copper / Brass Contacts
	Cover Plate: Coated Stainless Steel or Polycarbonate (PW & BK)
Voltage	240V~ 50Hz
Current Rating	13A
Terminal Size	5mm ø
Torque Value	2.5Nm
Cable Size	4 x 2.5mm ²
Back Box Depth	35mm - 47mm
Switched	(035, 036, 535, 536)
Double Pole	(035, 036, 535, 536)
Twin Earth	(036, 536, 630)
Warranty	10 Years
IP Rating	IP20
Operational Temperature	-5° to +40°C
Standards	The Low Voltage Directive 2006/95/EC BS 1363-2: 1995 + A4: 2012 (KM10807 Kitemark License)

Additional Information

Ensure that the mains supply is isolated before commencing installation and refer to the circuit diagram with the relevant product.

Bare earth cables must always be covered with appropriate sleeving and wired to the earth terminal.

DECLARATION OF CONFORMITY

1. *Issuer Name* Scolmore International Limited
2. *Issuer Address* 1 Scolmore Park, Landsberg,
Lichfield Road Industrial Estate,
Tamworth, Staffordshire, B79 7XB
3. *Object(s) of Declaration* Definity Range
- a. *Group* Sockets
- b. *Model No.* SIN035, SIN036, SIN535, SIN536, SIN630
4. *The object of the declaration described above is in conformity with the requirements of the following Legislations:*
- | Document No | Title |
|-------------|-----------------------|
| 2006/95/EC | Low Voltage Directive |

5. *All products contained within the aforementioned comply with the relevant standards and requirements listed below.*

KM10807 Kitemark License
BS 1363-2: 1995 + A4: 2012

6. *I hereby declare that the equipment named above has been designed to comply with the relevant sections of the above referenced specifications. The unit complies with all applicable Essential Requirements of the Directives.*

In conjunction with the above all manufacture and process controls are in accordance with ISO 9001:2008

Signed, for and on behalf of: Scolmore International Limited



Steven Bettson BSc - Senior Technical Support Engineer

CE 13