



10A 3 Pole Fan Isolation Switch



The smooth modern lines of the Deco accessory plate will fit easily into traditional and contemporary designs alike.

Deco Fan Isolation Switches, offer a safe and effective method of isolating fan units for work to be carried out in areas where there is little or no natural light. For example, lighting circuits may need to remain live whilst maintenance work is carried out in safety.

10A 3 Pole Fan Isolation Switch

Product Range

Finish Comparison



Antique Brass (AB)



Polished Brass (BR)



Polished Chrome (CH)



Satin Chrome (SC)



Satin Brass (SB)



Black Nickel (BN)



Pearl Nickel (PN)



Stainless Steel (SS)



Georgian Cast Brass (GCBR)

V1.0

10A 3 Pole Fan Isolation Switch

Product Range

3 Pole Fan Isolation Switch

VP020##**

10A 3 Pole Fan Isolation Switch

'Ingot' 3 Pole Fan Isolation Switch

VP520##**

'Ingot' 10A 3 Pole Fan Isolation Switch

3 Pole Fan Isolation Switch & Fused Connection Module (via MiniGrid)

VP404##**

2 Gang Quad Aperture Plate

MD020**

10A Twin Width 3 Pole Fan Isolation Switch Module

MD047**

Fused Connection Unit Module



VPSC020WH



VPBN520BK



VPCH404BK



MD020CH



MD047CH



MD047CH

Errors & Omissions excluded. Specification is subject to change without notice. ** Denotes Plate Finish, ## Denotes Insert Finish

V1.0

Scolmore International Ltd, 1 Scolmore Park, Landsberg, Lichfield Road Ind. Estate, Tamworth, Staffordshire, B79 7XB

Telephone: 01827 63454

E-mail: sales@scolmore.com, technical@scolmore.com

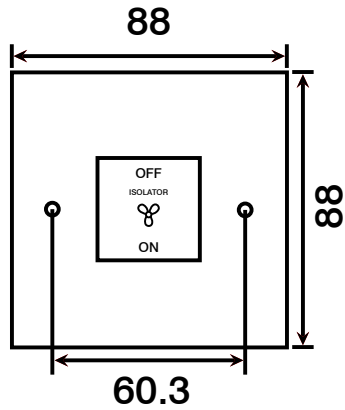
Facsimile: 01827 63362

Website: www.scolmore.com

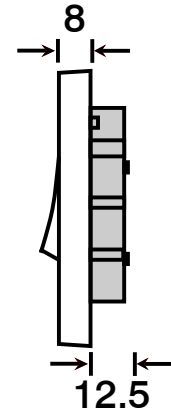
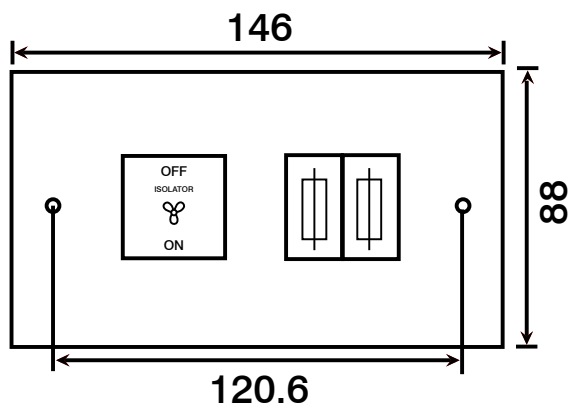
10A 3 Pole Fan Isolation Switch

Product Dimensional Drawings (mm)

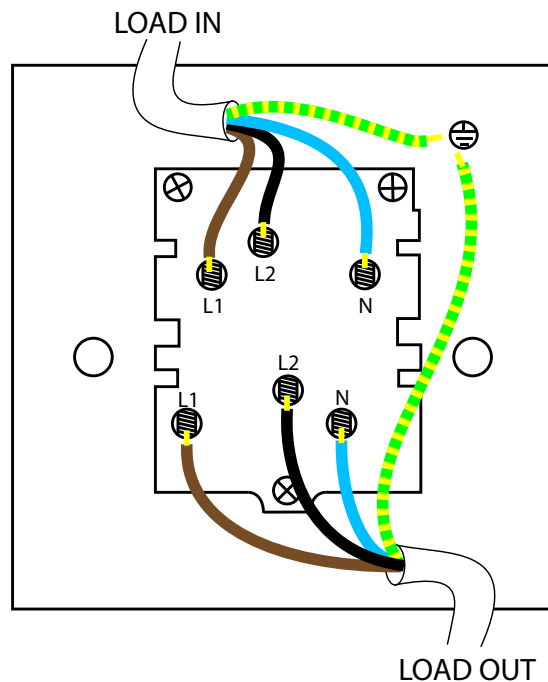
VP**020, 520



VP**404, MD020**, MD047** (x2)



Product Wiring Diagram



10A 3 Pole Fan Isolation Switch

Technical Specification

3 Pole Fan Isolation Switch

Material Composition	Front Plate: Stainless Steel
	Rear Housing: Nylon
	Terminals: Brass
	Earth Strap: Mild Steel
	Terminal Screws: Steel & Yellow Passivated
	Silver “on-lay” Copper / Brass Contacts
Voltage	240V~ 50Hz
Current Rating	10A
Terminal Size	3.5mm ø
Torque Value	0.4Nm
Cable Size	1 x 2.5mm ² , 2 x 1.5mm ²
Back Box Depth	25mm - 47mm
Warranty	10 Years
IP Rating	IP20
Operational Temperature	-5° to +40°C
Standards	The Low Voltage Directive 2006/95/EC
	EN 60669-2-4:2005
	EN 60669-1:1999 + A1:2002 + A2:2008

Additional Information

Ensure that the mains supply is isolated before commencing installation and refer to the circuit diagram with the relevant product.

Bare earth cables must always be covered with appropriate sleeving and wired to the earth terminal.

VP**020 and VP**520 are not interchangeable with the MiniGrid System however,

a Fused Fan Isolation Switch can be created using components from the MiniGrid System





DECLARATION OF CONFORMITY

1. *Issuer Name* Scolmore International Limited
2. *Issuer Address* 1 Scolmore Park, Landsberg,
Lichfield Road Industrial Estate,
Tamworth, Staffordshire, B79 7XB
3. *Object(s) of Declaration* Deco Range
a. *Group* Fan Isolation Switches
b. *Model No.* VP-020, VP-520
4. *The object of the declaration described above is in conformity with the requirements of the following Legislations:*
- | Document No | Title |
|-------------|-----------------------|
| 2006/95/EC | Low Voltage Directive |

5. *All products contained within the aforementioned comply with the relevant standards and requirements listed below.*

EN 60669-1:1999 + A1:2002 + A2:2008

EN 60669-2-4 : 2005

6. *I hereby declare that the equipment named above has been designed to comply with the relevant sections of the above referenced specifications. The unit complies with all applicable Essential Requirements of the Directives.*

In conjunction with the above all manufacture and process controls are in accordance with ISO 9001:2008

Signed, for and on behalf of: Scolmore International Limited

Steven Bettson BSc - Senior Technical Support Engineer

CE 13